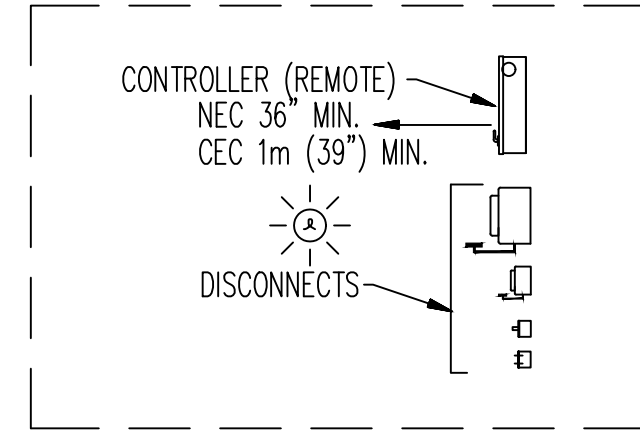
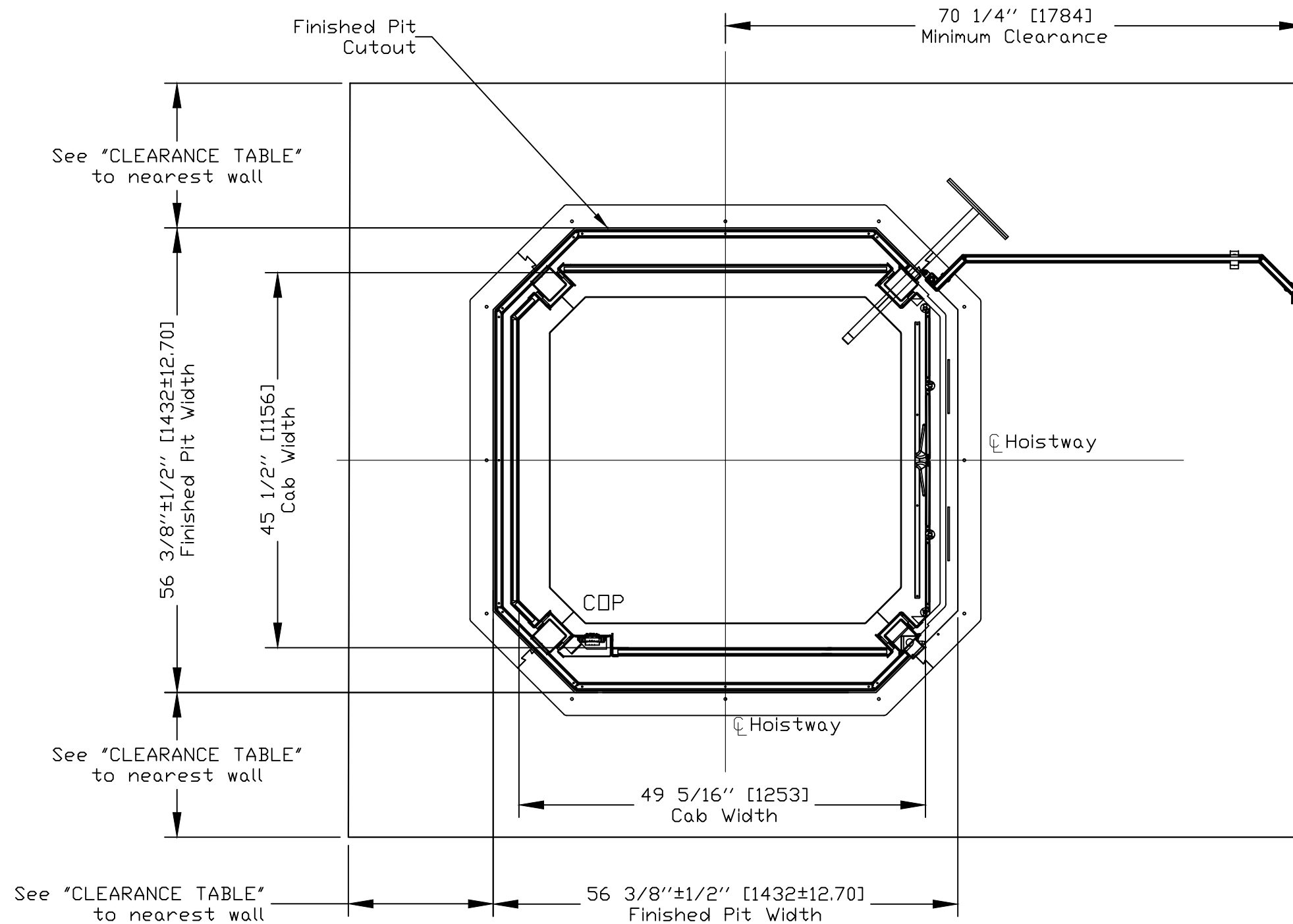


CLEARANCE TABLE

1 - WALL	2 - WALL	3 - WALL
4'	18" TO BOTH WALL	18" TO ALL 3 WALL

PLAN VIEW-TYPE 1



DISCONNECTS AND CONTROLLER (REMOTE)

PRELIMINARY DRAWING ONLY
DRAWING APPROVAL:

THIS DRAWING REFLECTS OUR INTERPRETATION OF THE INFORMATION PROVIDED BY THE DEALER ON THE ORDER FORM. THIS INFORMATION IS THE DEALER'S RESPONSIBILITY, AND IS THE BASIS FROM WHICH THIS LIFT IS DESIGNED AND MANUFACTURED. PLEASE INDICATE THE REQUESTED ACTION BY CHECKING ONE OF THE FOLLOWING BOXES AND SIGNING BELOW TO AUTHORIZE COMPLETION OF THIS ORDER.

- APPROVED WITH NO EXCEPTIONS
MANUFACTURE PRODUCT AS PER DRAWING
- APPROVED WITH EXCEPTIONS, NO REAPPROVAL REQUIRED
MAKE CHANGES AS NOTED, NO REAPPROVAL DRAWING REQUIRED
- CHANGE AS NOTED, REAPPROVAL REQUIRED
MAKE CHANGES AS NOTED, SEND CORRECTED DRAWING FOR REAPPROVAL BEFORE MANUFACTURE

SIGNATURE: _____ DATE: _____

- CHANGES REQUEST:
1. _____
 2. _____
 3. _____
 4. _____

CAUTION: ONCE THE DRAWING IS APPROVED, JOB CANCELLATION FEES WILL APPLY

OFFICE USE ONLY:	
CONFIGURATION VERSION STAMP:	1.5
MODULE VERSION STAMP:	E-S-7311

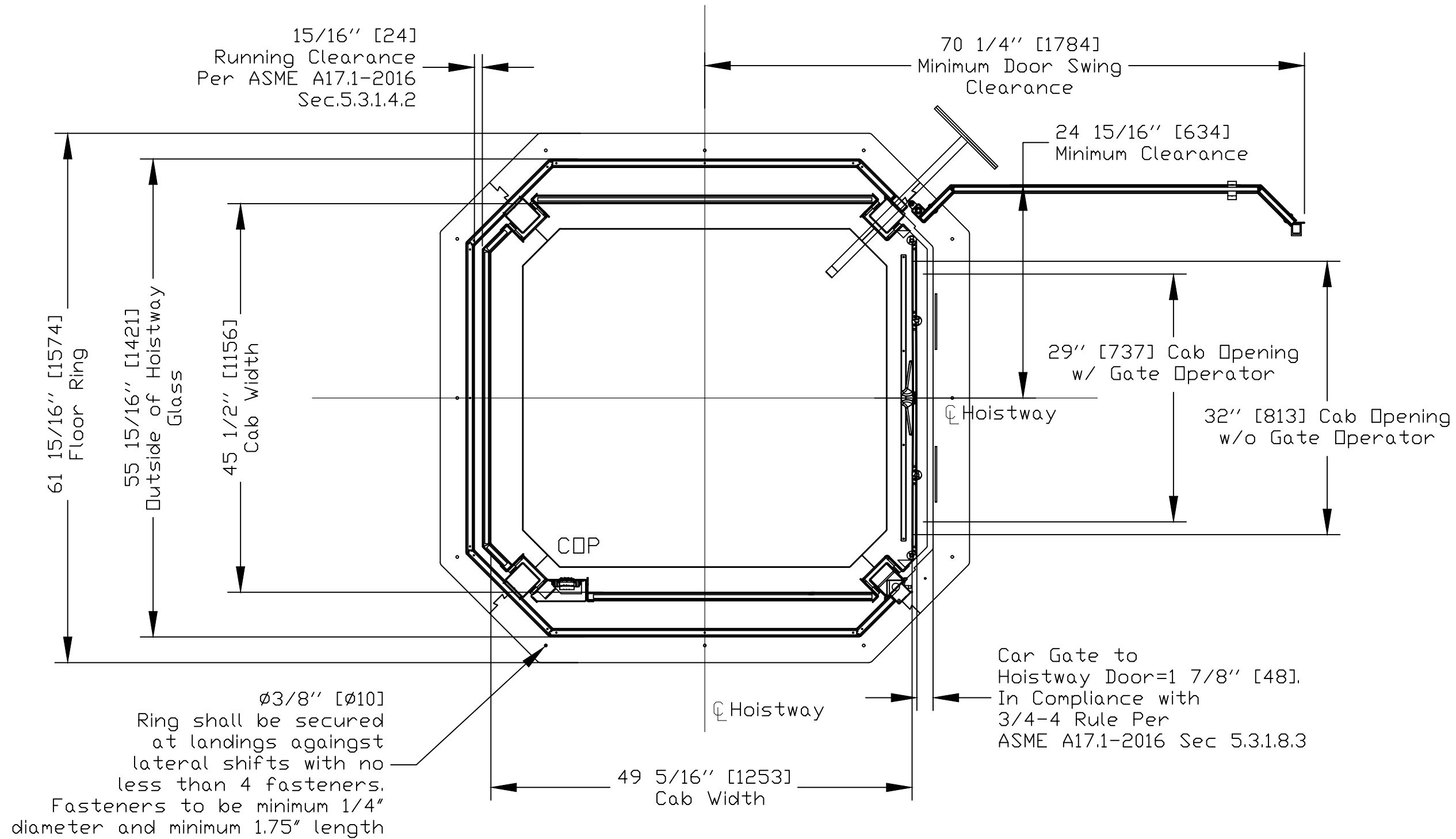
Part No. VUELIFT+
Variant No. P-000000

PLAN VIEW

CUSTOMER:	DATE: 01/05/18
PROJECT:	REVISION DATE: 10/28/19
ADDRESS:	COMPLETED BY: SC
	2



PIT/BOTTOM FLOOR/THRU FLOOR VIEW



**Clear cab dimension are from glass to glass and handrail protrudes over this dimension

FLOOR VIEW

<i>OFFICE USE ONLY:</i>	
CONFIGURATION VERSION STAMP:	1.5
MODULE VERSION STAMP:	E-S-73.11

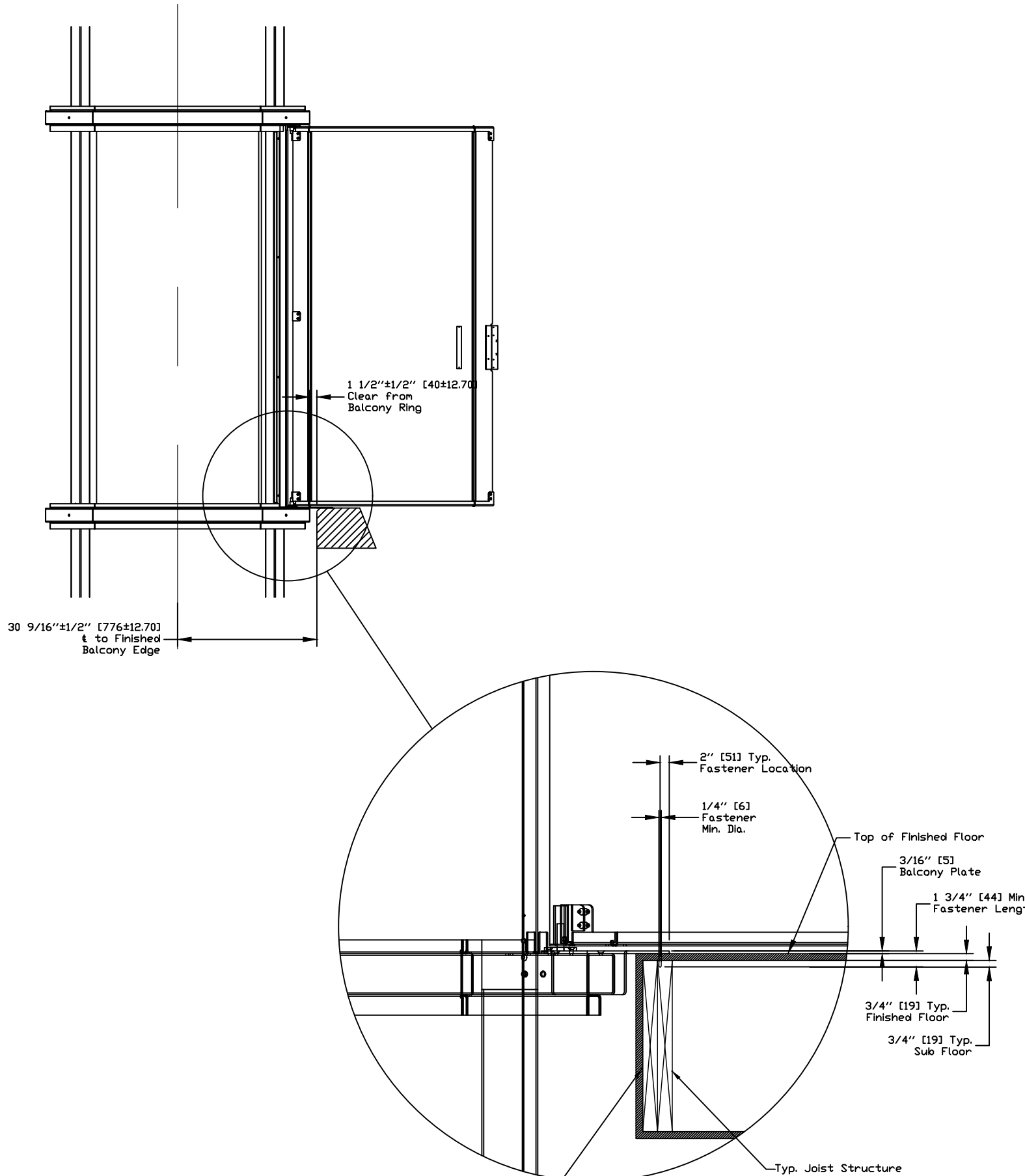
Part No.	VUELIFT+
Variant No.	P-000000

CUSTOMER:		DATE:	01/05/18
PROJECT:		REVISION DATE:	10/28/19
ADDRESS:		COMPLETED BY:	SC
		2	

JOB No.

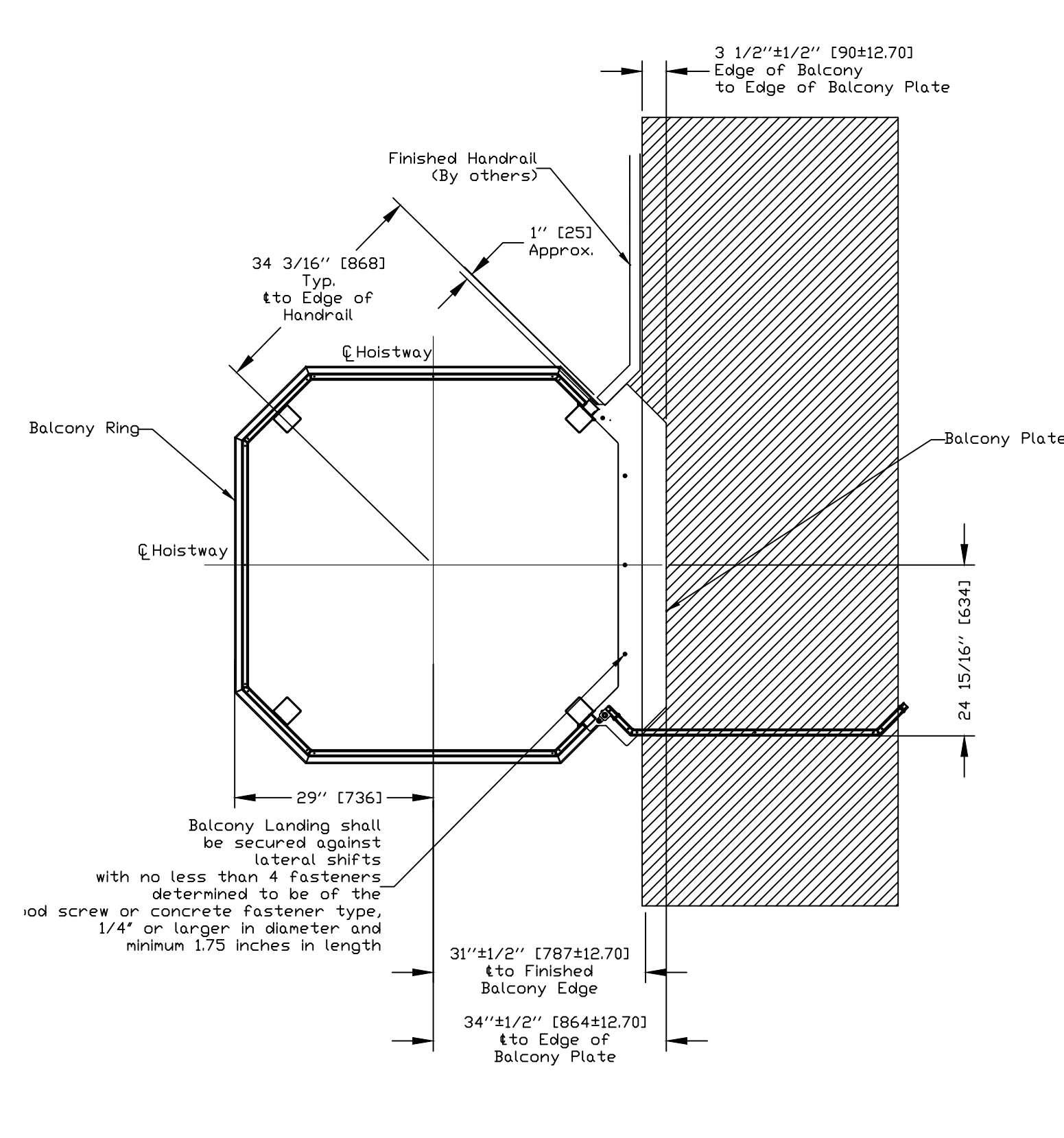
SHEET No.
2 OF 7

ELEVATION VIEW-BALCONY ATTACHMENT DETAIL



Finished Balcony Edge. Must be finished prior to elevator installation. (Finish by others).

TOP VIEW BALCONY DETAIL



Elev : BALCONY DETAILS

OFFICE USE ONLY:	
CONFIGURATION VERSION STAMP:	1.5
MODULE VERSION STAMP:	E-S-73.11

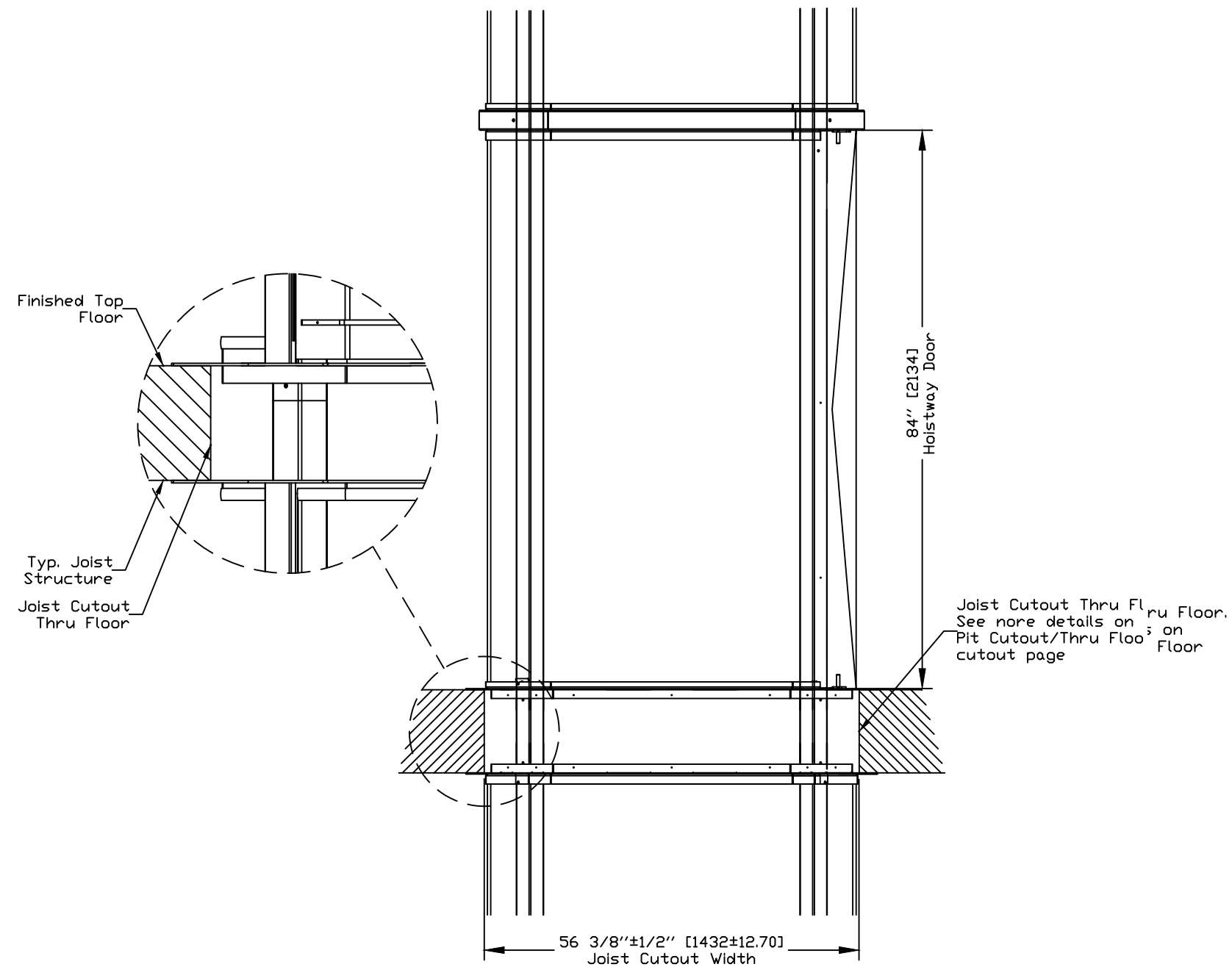
Part No.	VUELIFT+
Variant No.	P-000000

CUSTOMER:	DATE:	01/5/18
PROJECT:	REVISION DATE:	10/28/19
ADDRESS:	COMPLETED BY:	SC
		2

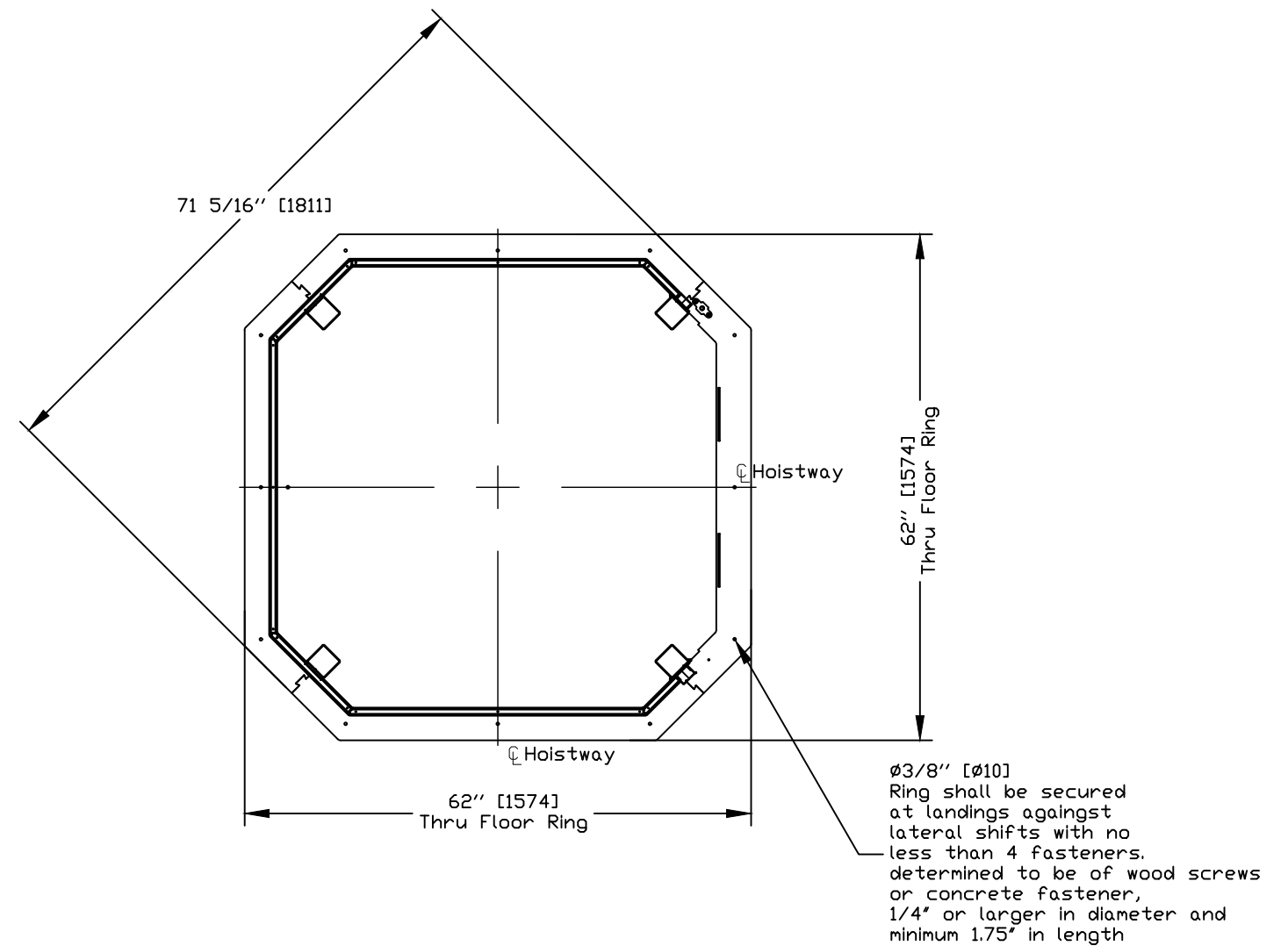
savaria™

JOB No. SHEET No. 3 OF 7

THRU FLOOR CONFIGURATION



THRU FLOOR PLAN VIEW



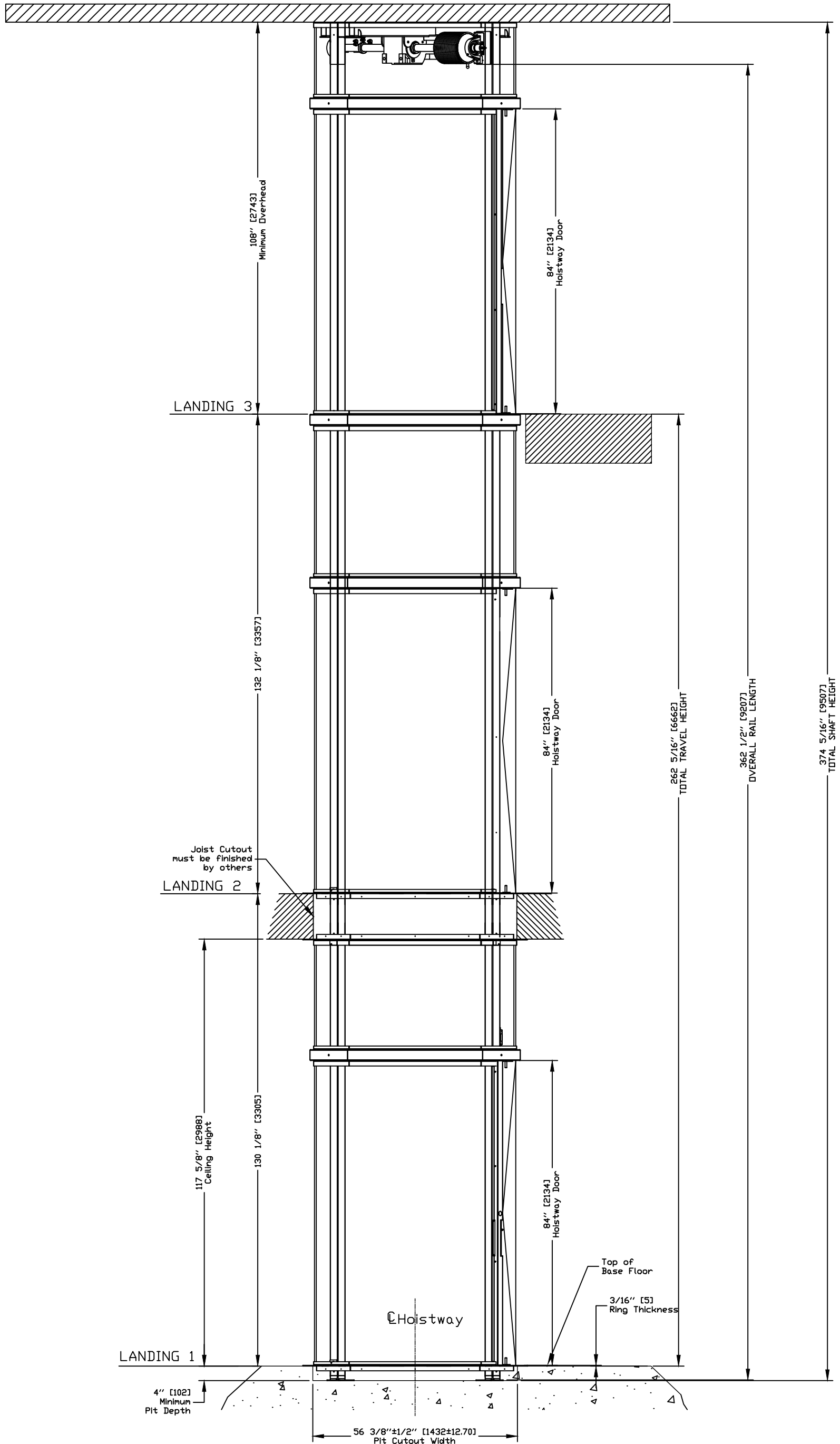
THRU FLOOR DETAILS

OFFICE USE ONLY:	
CONFIGURATION VERSION STAMP:	1.5
MODULE VERSION STAMP:	E-S-7.3.11

Part No.	VUELIFT+
Variant No.	P-000000

CUSTOMER:	DATE:	01/5/18
PROJECT:	REVISION DATE:	10/28/19
ADDRESS:	COMPLETED BY:	SC
		2





ELEVATION VIEW

OFFICE USE ONLY:	
CONFIGURATION VERSION STAMP:	1.5
MODULE VERSION STAMP:	E-S-73.11

Part No.	VUELIFT+
Variant No.	P-000000

CUSTOMER:	DATE:	01/05/18
PROJECT:	REVISION DATE:	10/28/19
ADDRESS:	COMPLETED BY:	SC
		△

		JOB No.	SHEET No.
			5 OF 7

PROVISIONS BY OTHERS

*GENERAL

CONSTRUCTION SITE: OWNER/AGENT TO PROVIDE ALL MASONRY, CARPENTRY AND DRYWALL WORK AS REQUIRED. FLOORS SHALL BE IN FINISHED STATE PRIOR TO INSTALLATION OF UNIT.

DIMENSIONS: CONTRACTOR/CUSTOMER TO VERIFY ALL CLEARANCE DIMENSIONS PRIOR TO UNIT DELIVERY.

*STRUCTURAL

FLOOR LOADS: STRUCTURAL ENGINEER TO ASSURE THAT BUILDING WILL SAFELY SUPPORT ALL LOADS IMPOSED BY THE LIFT EQUIPMENT. REFER TO TABLES ON THIS DRAWING FOR PIT/FLOOR LOADS IMPOSED BY THE EQUIPMENT.

NOTE: PER ASME A17.1-2016 THE CLEARANCE BETWEEN THE HOISTWAY DOORS OR GATES AND THE HOISTWAY EDGE OF THE LANDING SILL SHALL NOT EXCEED 3IN. THE DISTANCE BETWEEN THE HOISTWAY FACE OF THE LANDING DOOR OR GATE AND THE CAR DOOR OR GATE SHALL NOT EXCEED 5IN.

*ELECTRICAL

POWER SUPPLY: (SEE SPECIFICATIONS BELOW) LOCKABLE FUSED DISCONNECTS INSTALLED IN COMPLIANCE WITH ELECTRICAL CODE TO BE PROVIDED PRIOR TO INSTALLATION. ROUGHED IN POWER TO LIFT UNIT MUST BE PROVIDED TO HEAD ASSEMBLY LOCATION PRIOR TO INSTALLATION.

ELECTRICAL GFCI OUTLET IN HOISTWAY PIT.

PERMANENT POWER: BEFORE INSTALLATION CAN BEGIN, PERMANENT POWER MUST BE SUPPLIED.

*ENTRANCES

HANDRAILS: ALL BALCONY LEVELS REQUIRE HANDRAILS TO BE INSTALLED PER LOCAL CODES AFTER INSTALLATION IS COMPLETED. HANDRAIL AND INSTALLATION TO BE PROVIDED BY CONTRACTOR/CUSTOMER. VISILIFT, LLC AND/OR LOCAL INSTALLER ARE NOT RESPONSIBLE FOR HANDRAIL INSTALLATION OR MATERIALS.

POWER SUPPLY SPECIFICATIONS	DISCONNECT SIZE	TIME DELAY FUSE SIZE	VOLTS	PHASE	AMPERAGE
MOTOR & EQUIP.	30 AMPS	30 AMPS	230	SINGLE	20.2 AMPS
CAB LIGHTS	15 AMPS	15 AMPS	115	SINGLE	-
PIT LIGHT	15 AMPS	15 AMPS	115	SINGLE	-

IF A TELEPHONE CIRCUIT IS REQUIRED (OPTION FOR ELEVATOR) JACK IS PROVIDED AND INSTALLED BY OTHERS. THIS CIRCUIT SHALL BE BROUGHT TO A LOCATION NEXT TO THE CONTROLLER AND BE AVAILABLE TO CONNECT AND TEST UPON ELEVATOR INSTALLATION.

*SCOPE OF WORK

INSTALLATION OF A VUELIFT ELEVATOR BY A JOURNEY LEVEL LICENSED CONVEYANCE MECHANIC, AND MEETS OR EXCEEDS THE APPLICABLE REGULATIONS OF ALL GOVERNING AGENCIES AND IS IN CONFORMANCE WITH THE APPLICABLE SECTIONS OF THE MOST CURRENT EDITION OF THE FOLLOWING CODES AND STANDARDS.

ASME A17.1 SECTION 5.3 - SAFETY CODE FOR ELEVATORS AND ESCALATORS; PRIVATE RESIDENCE ELEVATORS.

NFPA 70-2008 THE NATIONAL ELECTRICAL CODE.

CSA B44.1/ASME A17.5 ELEVATOR AND ESCALATOR ELECTRICAL EQUIPMENT.

LOCAL CODES AND REGULATIONS, AS APPLICABLE.

AFTER INSTALLATION THE UNIT WILL BE INSPECTED BY AN INSPECTOR AS REQUIRED BY LOCAL LAWS.

GENERAL

CLASSIFICATION: _____ Residential Building
 APPLIED CODE: _____ ASME 17.1-2016 SEC. 5.3
 NEC 2008

WALLS: _____ Full Clear Laminated Safety Glass-Complies with ANSI Z97.1
 NUMBER OF FLOORS: _____ 2

MODEL: _____ Octagonal Glass
 CAPACITY: _____ 950 lbs. [432] kg
 NOMINAL SPEED: _____ 40 fpm. [0.1626 m/s]
 CAB FLOOR AREA: _____ 14.00 Square Feet [1.31 sq.meters]
 CAB INT HEIGHT: _____ 84 Inches [2133 mm]

CAB WEIGHT: _____ 1000 lbs. [455 kg]
 TOTAL TRAVEL: _____ 262 5/16 Inches
 PIT DEPTH (OPTION): _____ 4 Inches [102-305mm]
 POWER SUPPLY: _____ 50/60Hz Single Phase 230V

SAFETIES: _____ 2 Type A Instantaneous Safeties in compliance with ASME A17.1 Sections 2.17.8.1 & 1.17.5.1
 Mfg: Savaria P/N: VL481001-01

SUSPENSION:

TYPE: _____ Galvanized Aircraft Cable 2x3/8" dia
 CONSTRUCTION: _____ IWRC 7 x 19 RHRL
 NOMINAL STRENGTH: _____ 14,400 lbs. [6531 kg]
 WT. OF ROPES: _____ 0.243 lbs/ft [3.616 g/cm]
 TRAVEL CABLE WT: _____ 0.228 lbs/ft [3.393 g/cm]

DRIVETRAIN:

TYPE: _____ Winding Drum
 MOTOR: _____ 3 HP with Integrated Brake
 TRANSMISSION: _____ Ultra-Low Vibration 3-Stage Right Angle Helical-Bevel Drive
 MOTOR CONTROL: _____ Pre-Programmed Variable Freq. Drive
 DOOR INTERLOCKS: _____ Honeywell RDI-G-L5B certified in compliance with ASME A17.1 Sections 2.12.4.3
 PIT/FLOOR LOAD: _____ (ft of Hoistway*108) + (# of Floors*276) + 3020 Dead Load (lbs)

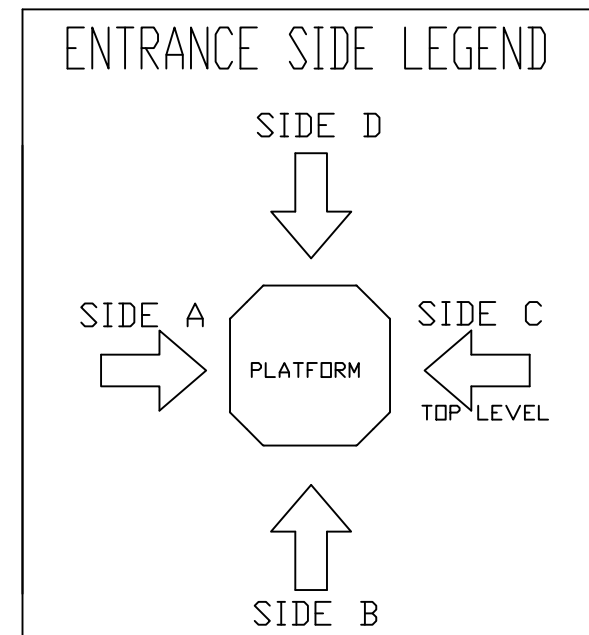
PIT FLOOR TO SUPPORT LOAD OF: 2500 kg [5400] lbs
 IMPACT LOAD: 3570 kg 7845 lbs

LANDING CHART

	LANDING 1	LANDING 2	LANDING 3
DOOR TYPE	SWING DOOR	SWING DOOR	SWING DOOR
ENTRANCE SIDE	C	C	C
DOOR SWING	LH_SWING	LH_SWING	LH_SWING
LOCK TYPE	HONEYWELL	HONEYWELL	HONEYWELL
HALL CALL KEY SWITCH	NO	NO	NO
FLOOR MARKING	1	2	3
LANDING CONFIGURATION	PIT	THRU-FLOOR	BALCONY

OPTIONS:

BUFFER SPRING: _____ No
 COLOR: _____ Texture Black (std) PX622N365



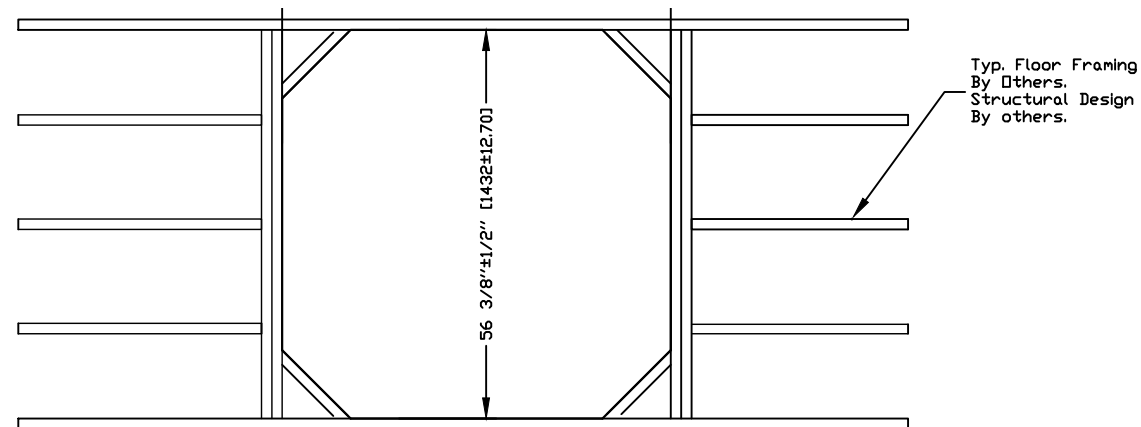
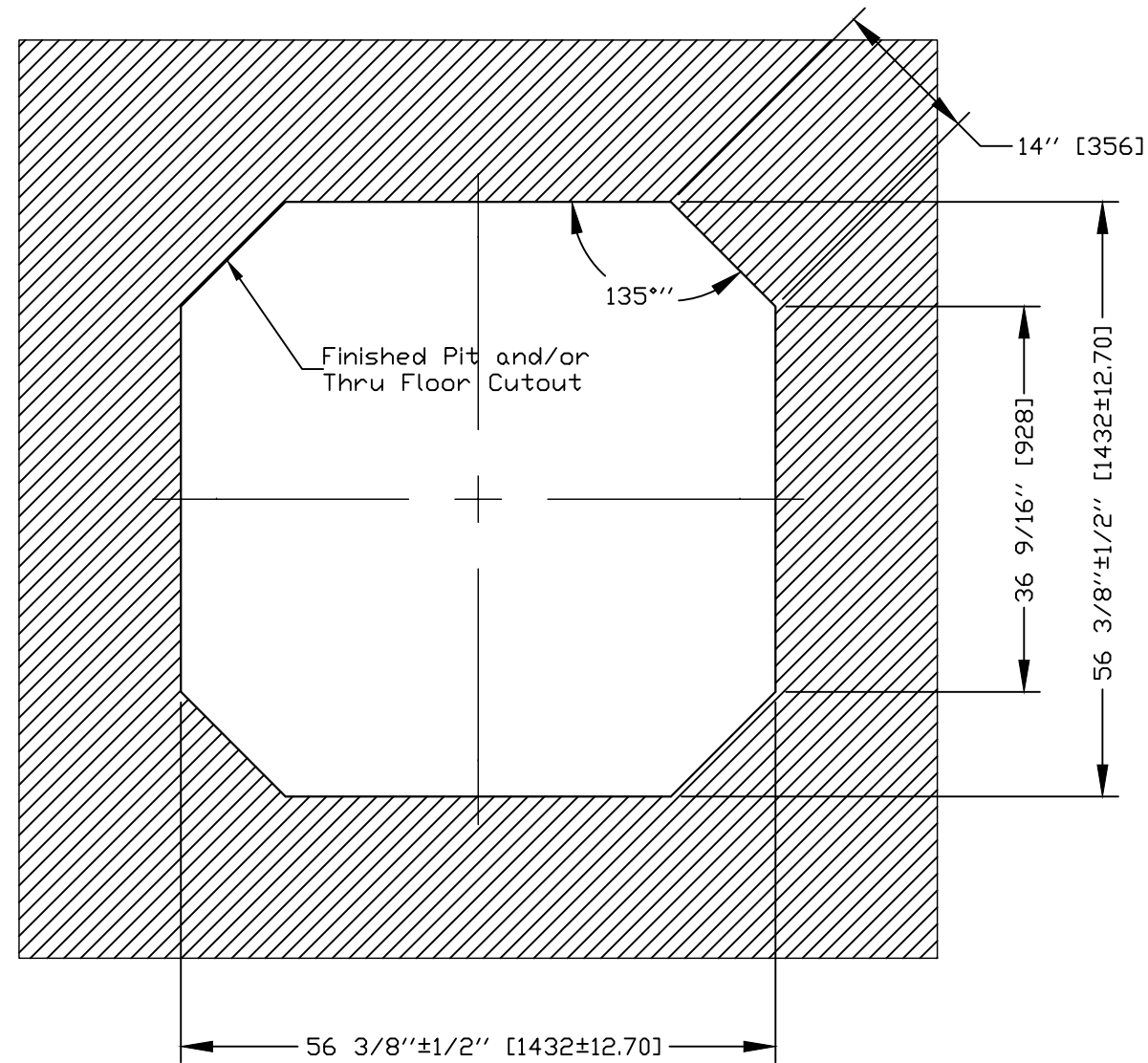
DATA SHEET

CUSTOMER:	DATE: 01/05/18
PROJECT:	REVISION DATE: 10/28/19
ADDRESS:	COMPLETED BY: S.C
	2

OFFICE USE ONLY:	
CONFIGURATION VERSION STAMP:	1.5
MODULE VERSION STAMP:	E-S-7311

Part No.	VUELIFT+
Variant No.	P-000000
JOB No.	SHEET No. 6 OF 7

PLAN VIEW PIT CUTOUT/THRU FLOOR CUTOUT

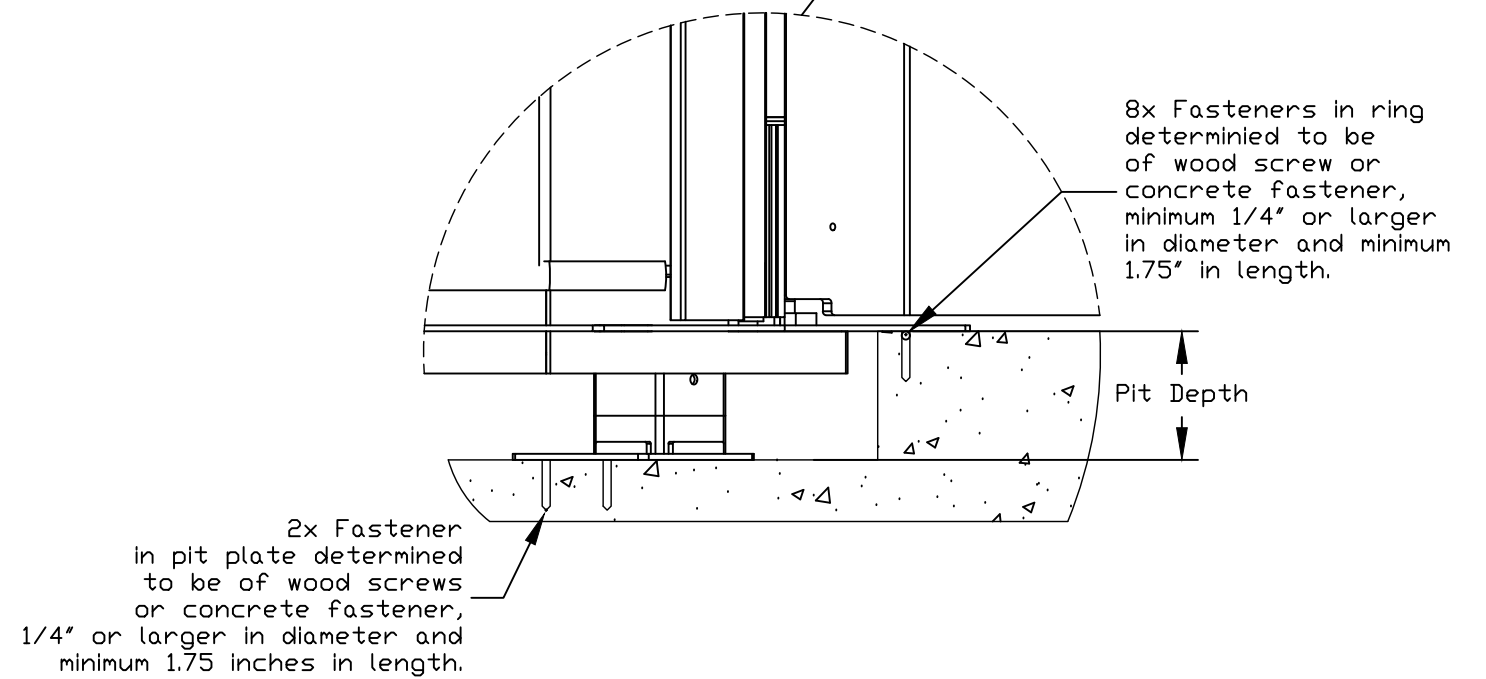
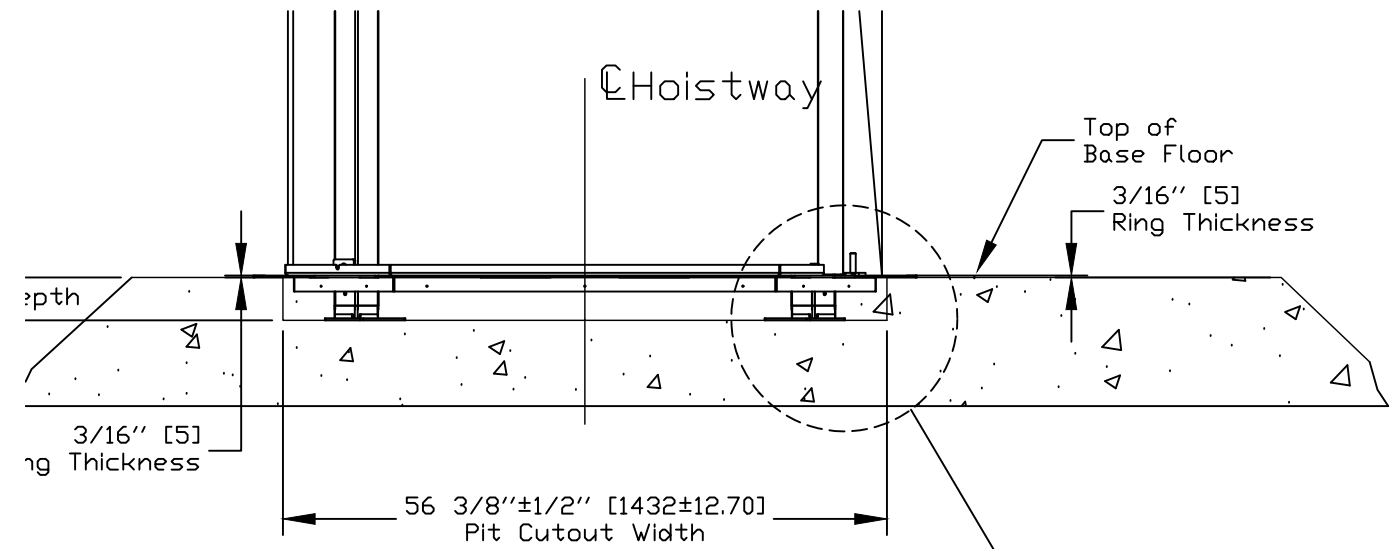


NOTE:
PIT OPTION ROUGH IN AND FINISHED DIMS. ARE IDENTICAL TO THRU-FLOOR ROUGH IN AND FINISHED DIMS.

CLEARANCE FROM ADJACENT WALLS TO EDGE OF HOLE/PIT MUST BE MINIMUM 18" ON ALL SIDES.

WHEN THE UNIT IS UP AGAINST ONE WALL, 4" OF CLEAR SPACE IS REQUIRED BETWEEN WALL AND ELEVATOR.

PIT CUTOUT AND THRU FLOOR CUTOUT



OFFICE USE ONLY:	
CONFIGURATION VERSION STAMP:	1.5
MODULE VERSION STAMP:	E-S-7311

Part No. VUELIFT+
Variant No. P-000000

CUSTOMER:	DATE:	01/05/18
PROJECT:	REVISION DATE:	10/28/19
ADDRESS:	COMPLETED BY:	SC
		2



JOB No. SHEET No. 7 OF 7