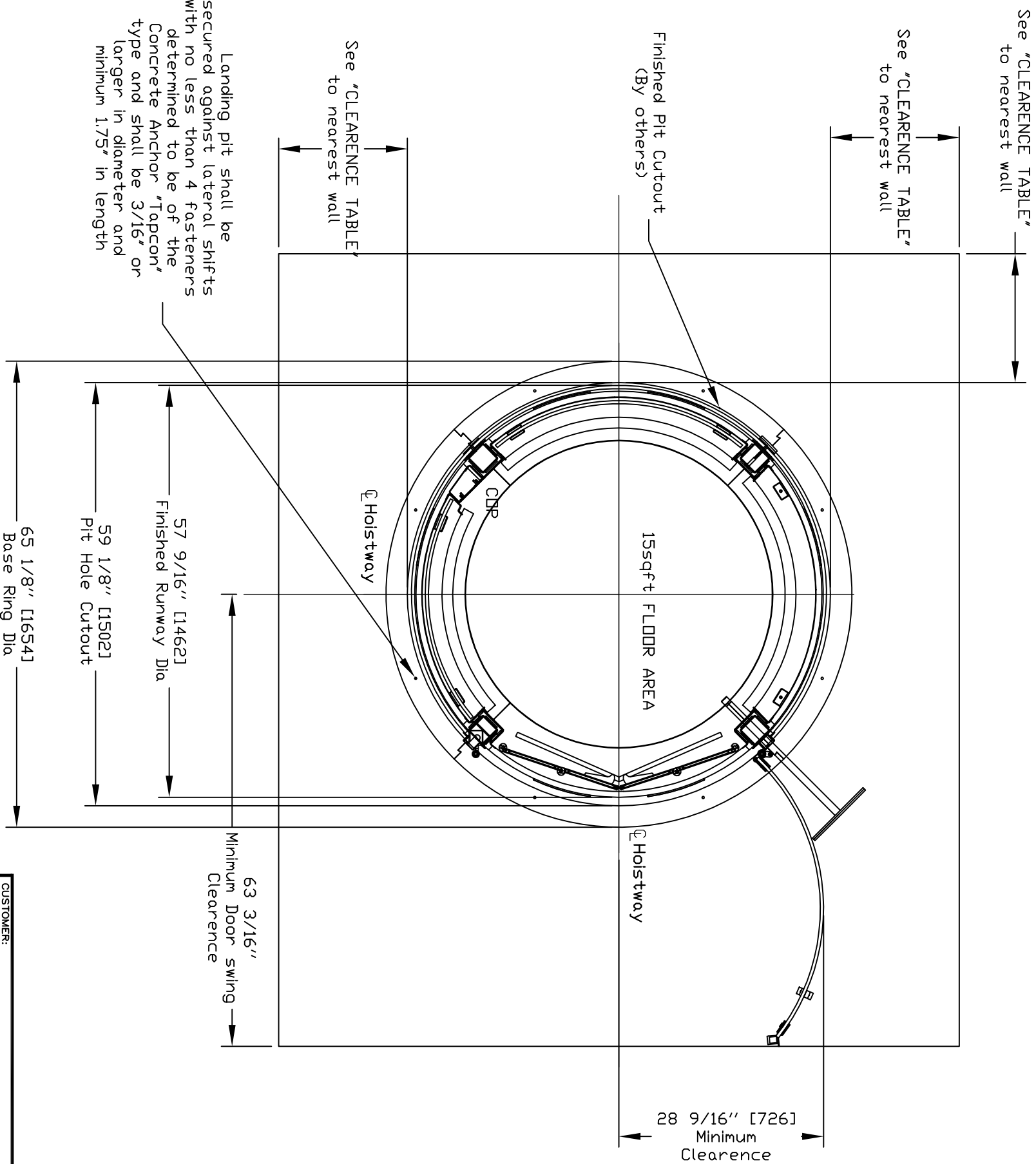


1 - WALL	2 - WALL	3 - WALL
4'	18" TO BOTH WALL	18" TO ALL 3 WALL

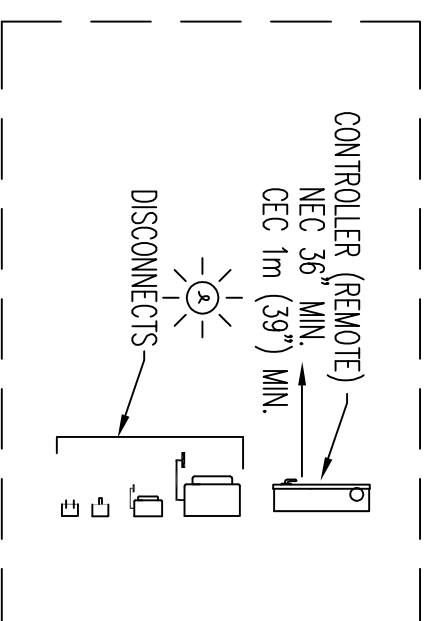
CLEARANCE TABLE

PLAN VIEW



Landing pit shall be secured against lateral shifts with no less than 4 fasteners determined to be of the Concrete Anchor "Tapcon" type and shall be 3/16" or larger in diameter and minimum 1.75' in length

PLAN VIEW



DISCONNECTS AND CONTROLLER (REMOTE)

PRELIMINARY DRAWING ONLY  
DRAWING APPROVAL:

THIS DRAWING REFLECTS OUR INTERPRETATION OF THE INFORMATION PROVIDED BY THE DEALER ON THE ORDER FORM. THIS INFORMATION IS THE DEALER'S RESPONSIBILITY, AND IS THE BASIS FROM WHICH THIS LIFT IS DESIGNED AND MANUFACTURED. PLEASE INDICATE THE REQUESTED ACTION BY CHECKING ONE OF THE FOLLOWING BOXES AND SIGNING BELOW TO AUTHORIZE COMPLETION OF THIS ORDER.

- APPROVED WITH NO EXCEPTIONS
- MANUFACTURE PRODUCT AS PER DRAWING
- APPROVED WITH EXCEPTIONS, NO REAPPROVAL REQUIRED
- MAKE CHANGES AS NOTED, NO REAPPROVAL DRAWING REQUIRED
- CHANGE AS NOTED, REAPPROVAL REQUIRED
- MAKE CHANGES AS NOTED, SEND CORRECTED DRAWING FOR REAPPROVAL BEFORE MANUFACTURE

SIGNATURE: \_\_\_\_\_ DATE: \_\_\_\_\_  
 CHANGES REQUEST:  
 1. \_\_\_\_\_  
 2. \_\_\_\_\_  
 3. \_\_\_\_\_  
 4. \_\_\_\_\_  
 CAUTION: ONCE THE DRAWING IS APPROVED, JOB CANCELLATION FEES WILL APPLY

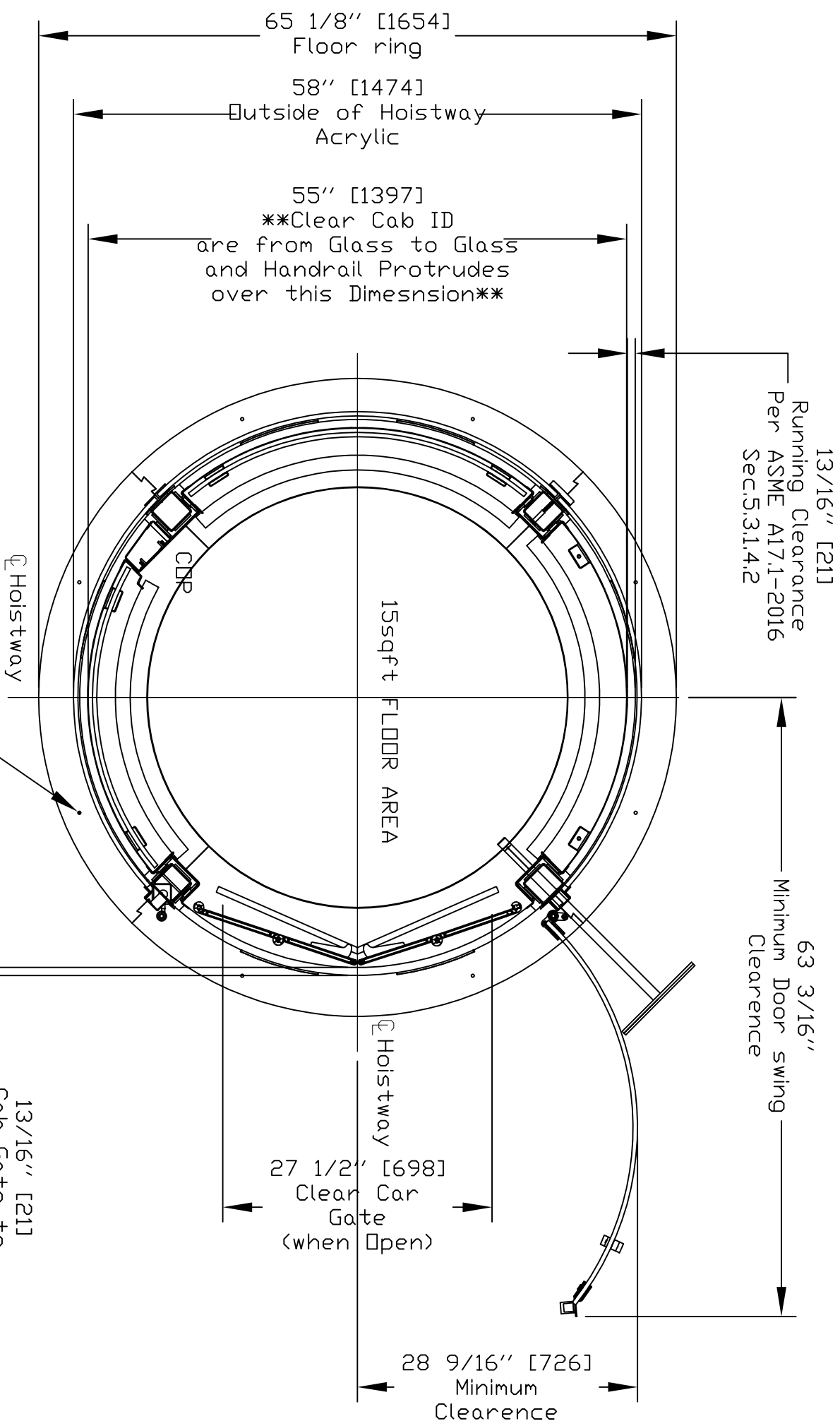
OFFICE USE ONLY:	Part No.	VUE LIFT
CONFIGURATION VERSION STAMP:	Variant No.	30035876
MODULE VERSION STAMP:		

CUSTOMER:	JUSTOMER	DATE:	09/24/2018
PROJECT:	ROJECT	REVISION DATE:	12/21/2018
ADDRESS:	STEER T	COMPLETED BY:	ND
	ITY, BO		A

JOB No.	JOB NUMBER	SHEET No.	OF
	1		6



# PIT/BOTTOM FLOOR



\*\*Clear cab dimension are from acrylic to acrylic  
and handrail protrudes over this dimension

## FLOOR VIEW

OFFICE USE ONLY:	
CONFIGURATION VERSION STAMP:	0.0
MODULE VERSION STAMP:	0.0

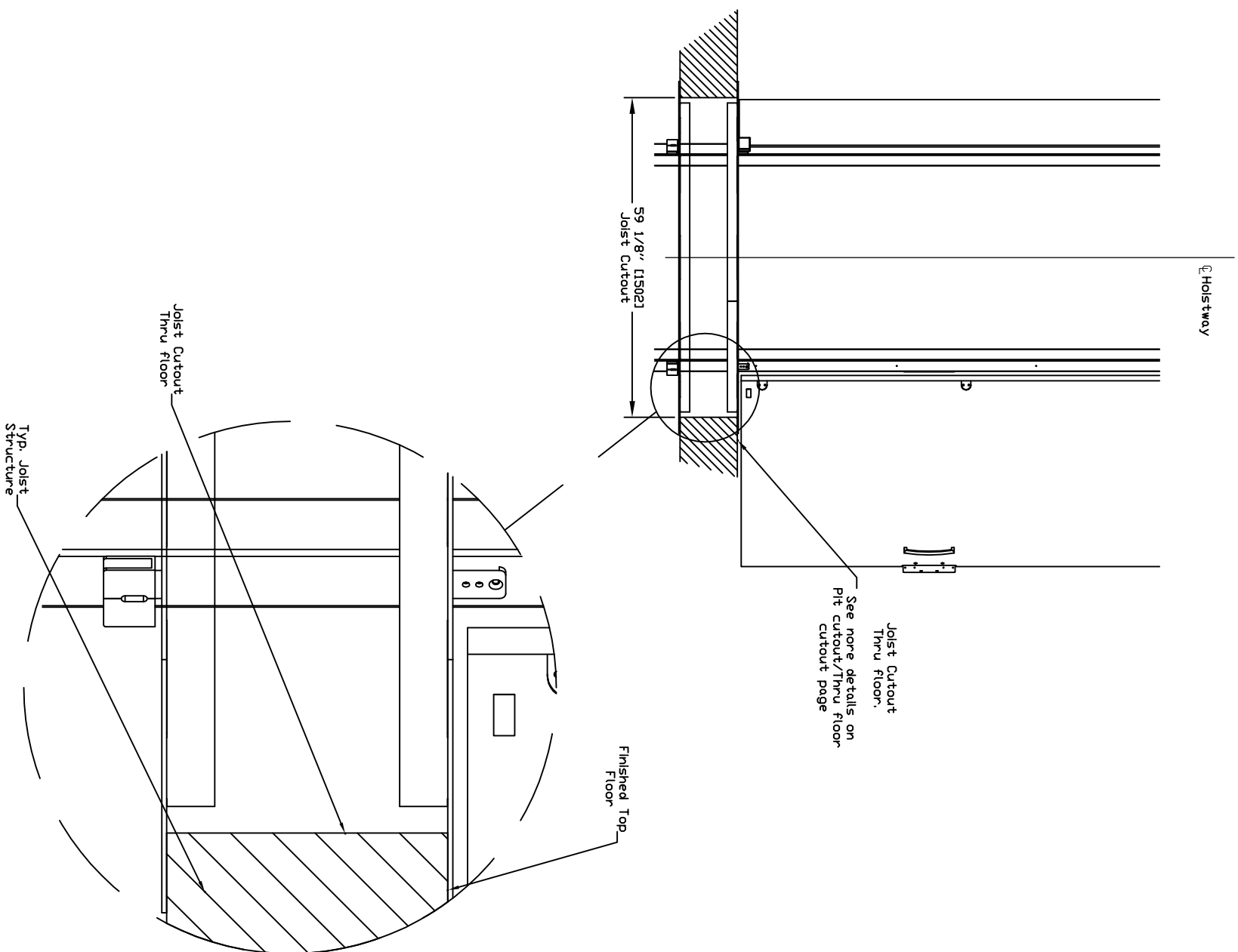
Part No.	VUELIFT
Variant No.	30035876



CUSTOMER:	JUSTOMER	NAME:	
PROJECT:	ROJECT	REVISION DATE:	09/24/2018
ADDRESS:	STEERT	COMPLETED BY:	ND
	ITY, BO		A

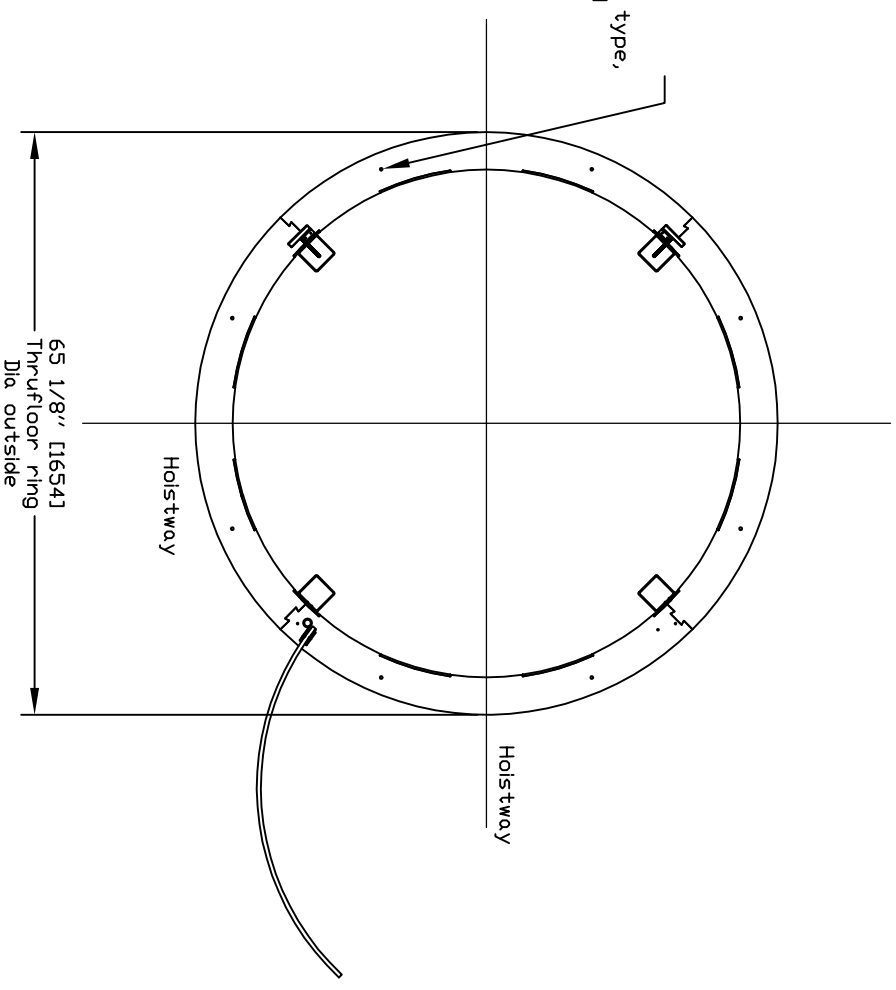
JOB No.	JOB NUMBER	SHEET No.	2 OF 6
---------	------------	-----------	--------

THRU FLOOR CONFIGURATION

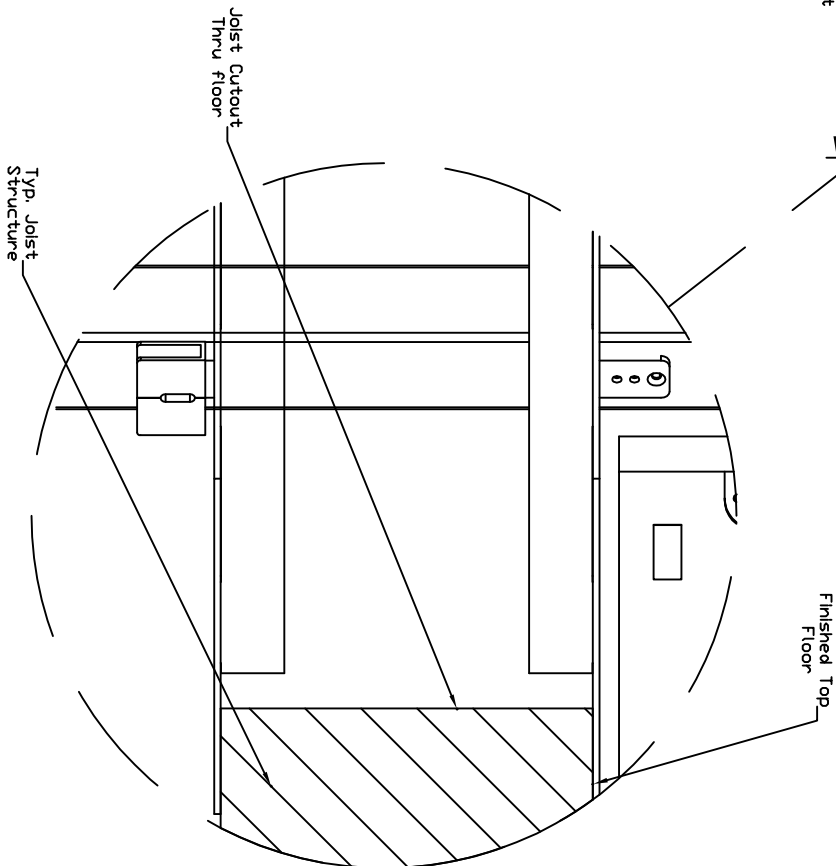


W

$\phi 3/8''$  [Ø10]  
 Ring shall be secured  
 at landings against  
 lateral shifts with no  
 less than 4 fasteners,  
 determined to be of the  
 wood screws or concrete fastener type,  
 $1/4''$  or larger in diameter and  
 minimum 1.75" in length



THRU FLOOR PLAN VIEW



THRU FLOOR DETAILS

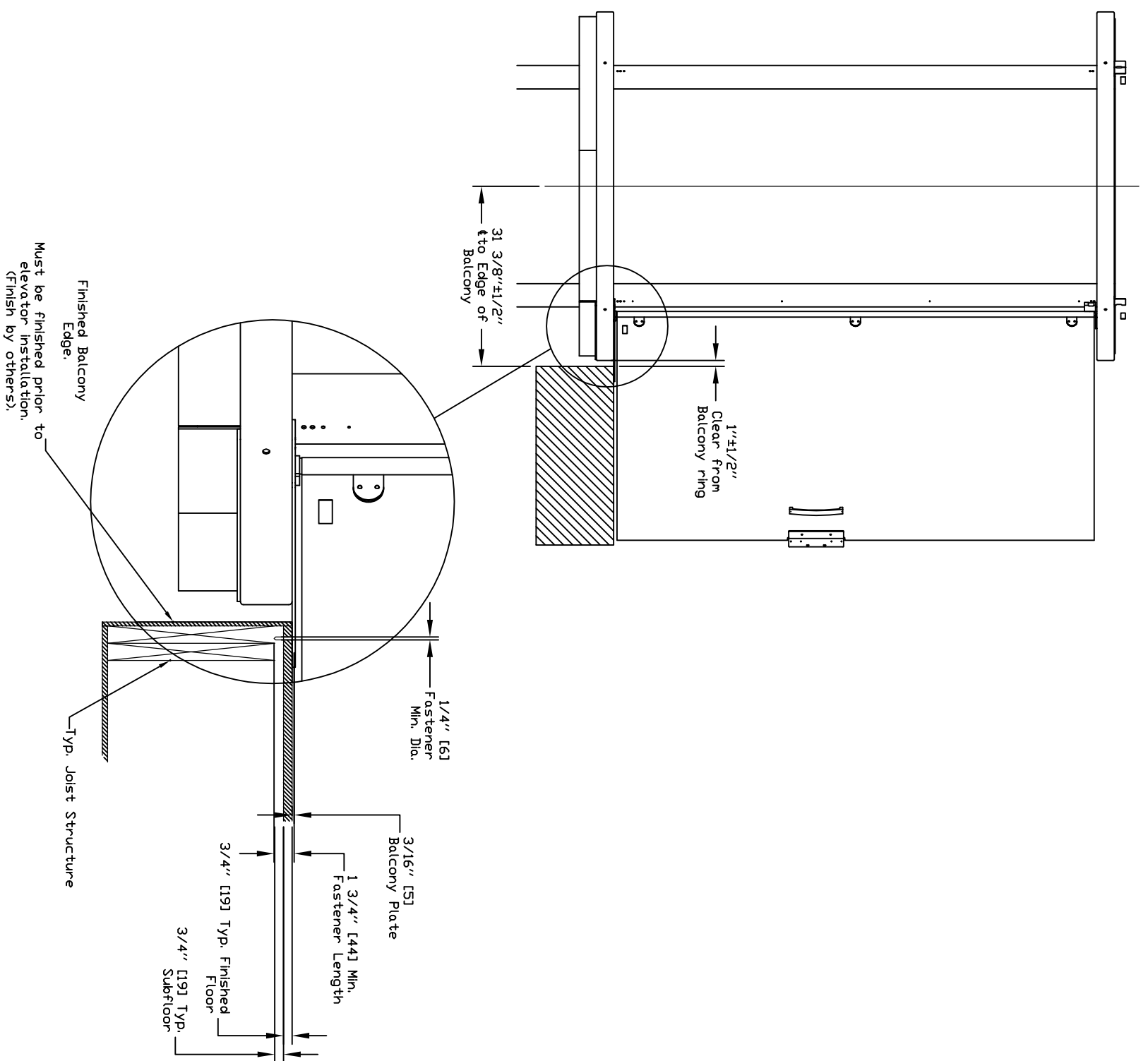
OFFICE USE ONLY:	
CONFIGURATION VERSION STAMP:	0.0
MODULE VERSION STAMP:	0.0

Part No.	VUELLIFT
Variant No.	30035876

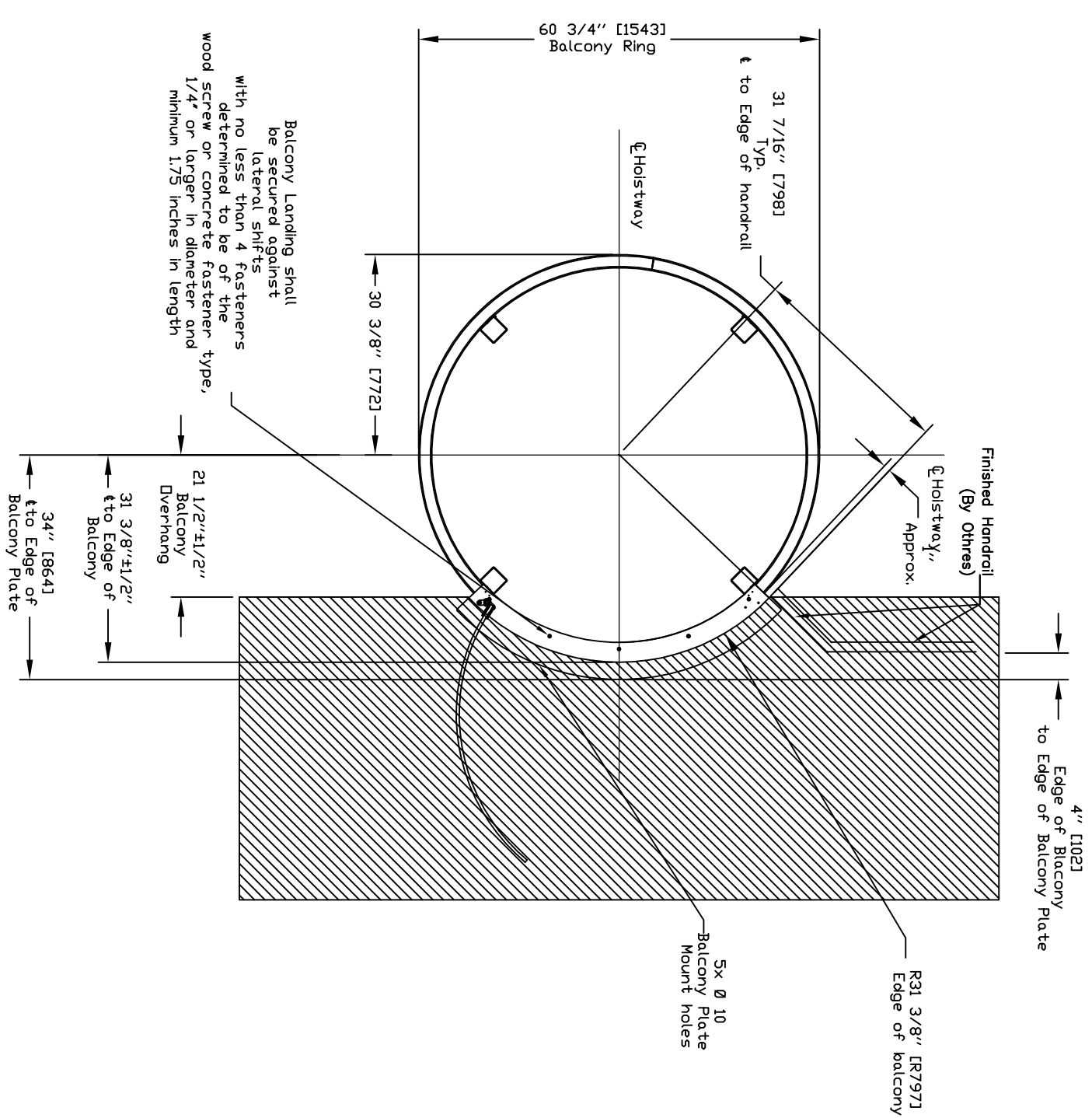
CUSTOMER:	JUSTOMER	NAME:	
PROJECT:	ROJECT	REVISION DATE:	09/24/2018
ADDRESS:	STREET	COMPLETED BY:	ND
	CITY, BOX		A

Part No. **VUELLIFT**  
 Variant No. **30035876**  
 DATE: **09/24/2018**  
 REVISION DATE: **12/21/2018**  
 COMPLETED BY: **ND**  
**SAVARRIA**  
 JOB No. **JOB NUMBER 3** OF **6**

ELEVATION VIEW-BALCONY ATTACHMENT



TOP VIEW BALCONY DETAIL



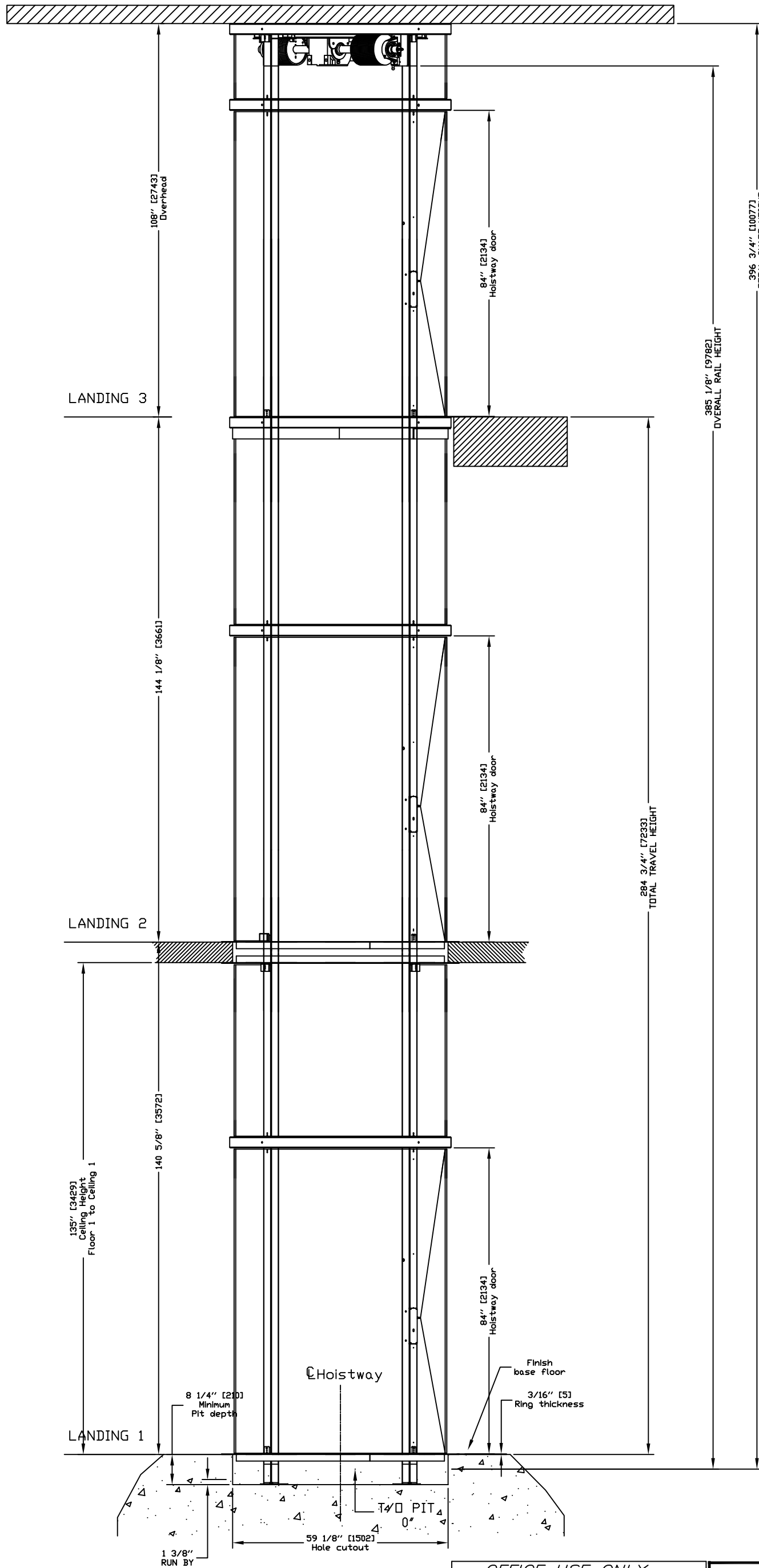
OFFICE USE ONLY:	Part No.	VUELIFT
CONFIGURATION VERSION STAMP:	Variant No.	30035876
MODULE VERSION STAMP:		0.0

CUSTOMER:	JUSTOMER	DATE:	09/24/2018
PROJECT:	ROJECTNAME	REVISION DATE:	12/21/2018
ADDRESS:	STREET BOX	COMPLETED BY:	ND
	CITY, P.O. BOX		A

**savarria**

JOB No. **JOB NUMBER 3** SHEET No. **OF 6**

Elev : BALCONY DETAILS



ELEVATION VIEW

<i>OFFICE USE ONLY:</i>	
CONFIGURATION VERSION STAMP:	1.5
MODULE VERSION STAMP:	E-S-7.3.11

Part No.	VUE LIFT
Variant No.	30035876

CUSTOMER:	CUSTOMER NAME	DATE:	09/24/2018
PROJECT:	PROJECT NAME	REVISION DATE:	12/21/2018
ADDRESS:	STREET NAME	COMPLETED BY:	ND
	CITY, PO BOX		



# PROVISIONS BY OTHERS

**\*GENERAL**  
 CONSTRUCTION, SITE, OWNER/AGENT TO PROVIDE ALL MASONRY, CARPENTRY AND DRYWALL WORK AS REQUIRED. FLOORS SHALL BE IN FINISHED STATE PRIOR TO INSTALLATION OF UNIT.  
 DIMENSIONS: CONTRACTOR/CUSTOMER TO VERIFY ALL CLEARANCE DIMENSIONS PRIOR TO UNIT DELIVERY.

**\*STRUCTURAL**  
 FLOOR LOADS: STRUCTURAL ENGINEER TO ASSURE THAT BUILDING WILL SAFELY SUPPORT ALL LOADS IMPOSED BY THE LIFT EQUIPMENT. REFER TO TABLES ON THIS DRAWING FOR PIT/FLOOR LOADS IMPOSED BY THE EQUIPMENT.  
 NOTE: PER ASME A17.1-2016  
 THE CLEARANCE BETWEEN THE HOISTWAY DOORS OR GATES AND THE HOISTWAY EDGE OF THE LANDING SILL SHALL NOT EXCEED 3IN. THE DISTANCE BETWEEN THE HOISTWAY FACE OF THE LANDING DOOR OR GATE AND THE CAR DOOR OR GAE SHALL NOT EXCEED 3IN.

**\*ELECTRICAL**  
 POWER SUPPLY: (SEE SPECIFICATIONS BELOW) LOCKABLE FUSED DISCONNECTS INSTALLED IN COMPLIANCE WITH ELECTRICAL CODE TO BE PROVIDED PRIOR TO INSTALLATION. ROUGHED IN POWER TO LIFT UNIT MUST BE PROVIDED TO HEAD ASSEMBLY LOCATION PRIOR TO INSTALLATION.  
 PERMANENT POWER BEFORE INSTALLATION CAN BEGIN, PERMANENT POWER MUST BE SUPPLIED.

**\*ENTRANCES**  
 HANDRAILS: ALL BALCONY LEVELS REQUIRE HANDRAILS TO BE INSTALLED PER LOCAL CODES AFTER INSTALLATION IS COMPLETED. HANDRAIL AND INSTALLATION TO BE PROVIDED BY CONTRACTOR/CUSTOMER. VISIBILITY AND/OR LOCAL INSTALLER ARE NOT RESPONSIBLE FOR HANDRAIL INSTALLATION OR MATERIALS.

POWER SUPPLY SPECIFICATIONS	DISCONNECT SIZE	TIME DELAY FUSE SIZE	VOLTS	PHASE	AMPERAGE
MOTOR & EQUIP.	30 AMPS	30 AMPS	230	SINGLE	20.2 AMPS
CAB LIGHTS	15 AMPS	15 AMPS	115	SINGLE	

IF A TELEPHONE CIRCUIT IS REQUIRED (OPTION FOR ELEVATOR) JACK IS PROVIDED AND INSTALLED BY OTHERS. THIS CIRCUIT SHALL BE BROUGHT TO A LOCATION NEXT TO THE CONTROLLER AND BE AVAILABLE TO CONNECT AND TEST UPON ELEVATOR INSTALLATION.

**\*SCOPE OF WORK**  
 INSTALLATION OF A VUELIFT ELEVATOR BY A JOURNEY LEVEL LICENSED CONVEYANCE MECHANIC, AND MEETS OR EXCEEDS THE APPLICABLE REGULATIONS OF ALL GOVERNING AGENCIES AND IS IN CONFORMANCE WITH THE APPLICABLE SECTIONS OF THE MOST CURRENT EDITION OF THE FOLLOWING CODES AND STANDARDS.

ASME A17.1 SECTION 5.3 - SAFETY CODE FOR ELEVATORS AND ESCALATORS;  
 PRIVATE RESIDENCE ELEVATORS.

NFPA 70-2008 THE NATIONAL ELECTRICAL CODE.

CSA B441/ASME A17.5 ELEVATOR AND ESCALATOR ELECTRICAL EQUIPMENT.

LOCAL CODES AND REGULATIONS, AS APPLICABLE.

AFTER INSTALLATION THE UNIT WILL BE INSPECTED BY AN INSPECTOR AS REQUIRED BY LOCAL LAWS.

**GENERAL**  
 CLASSIFICATION: Residential Building  
 APPLIED CODE: ASME 17.1-2016 SEC. 5.3  
 NEC 2008  
 WALLS: Full Clear Laminated Safety Glass-Complies with ANSI Z97.1  
 NUMBER OF FLOORS: 3  
 MODEL: Round Glass  
 CAPACITY: 950 lbs. [431 kg]  
 NOMINAL SPEED: 40 fpm. [0.20 m/s]  
 CAB FLOOR AREA: 15 Square Feet [1.4 sqmeters]  
 CAB INT HEIGHT: 84 Inches [2133 mm]  
 CAB WEIGHT: 1160 lbs. [526kg]  
 TOTAL TRAVEL: 284 3/4 Inches [7233 mm]  
 PIT DEPTH (OPTION): 8.25 Inches [102-210mm]  
 POWER SUPPLY: 50/60Hz Single Phase 230V  
 SAFETIES: 2 Type A Instantaneous Safeties in compliance with ASME A17.1 Sections 2.17.8.1 & 1.17.5.1  
 Mfg: Savaria P/N: VL581001-01

**SUSPENSION:**

TYPE: Galvanized Aircraft Cable 2x3/8" dia  
 CONSTRUCTION: IWRC 7 x 19 RHRL  
 NOMINAL STRENGTH: 14,400 lbs. [6531 kg]  
 WT. OF ROPES: 0.243 lbs/ft [3.616 g/cm]  
 TRAVEL CABLE WT: 0.228 lbs/ft [3.393 g/cm]

**DRIVE TRAIN:**

TYPE: Winding Drum  
 MOTOR: 3.0 HP with Integrated Brake  
 TRANSMISSION: Ultra-Low Vibration 3-Stage Right Angle Helical-Bevel Drive  
 MOTOR CONTROL: Pre-Programmed Variable Freq. Drive  
 DOOR INTERLOCKS: Honeywell RDI-G-LSB certified in compliance with ASME A17.1 Sections 2.12.4.3  
 PIT/FLOOR LOAD: (ft of Hoistway\*107 + (# of Floors\*276) + 3020 Dead Load (lbs))

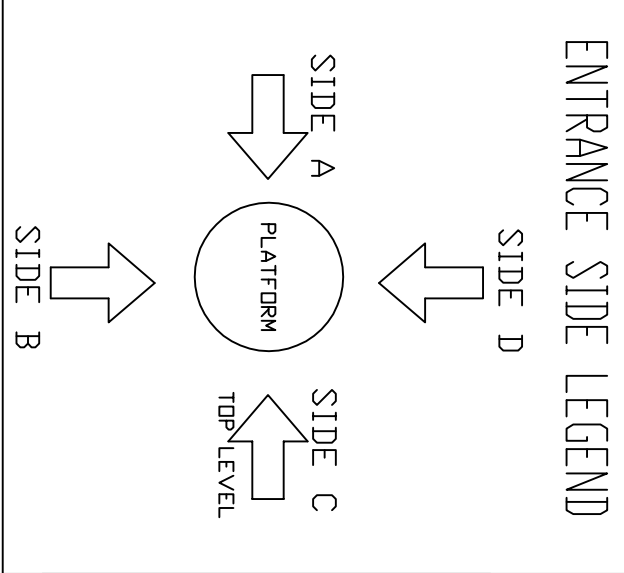
PIT FLOOR TO SUPPORT LOAD OF: 3500 kg [7500 lbs]  
 IMPACT LOAD: 3565 kg [7845 lbs]

**LANDING CHART**

DOOR TYPE	LANDING 1	LANDING 2	LANDING 3	LANDING 4	LANDING 5	LANDING 6
ENTRANCE SIDE DOOR SWING	SWING DOORS	SWING DOORS	SWING DOOR	NA	NA	NA
DOOR SWING	C	C	NA	NA	NA	NA
LOCK TYPE	LEFT HAND SWING	LEFT HAND SWING	LEFT HAND SWING	NA	NA	NA
HALL CALL KEY SWITCH	HONEYWELL	HONEYWELL	HONEYWELL	NA	NA	NA
FLOOR MARKING	NO	NO	NO	NA	NA	NA
LANDING CONFIGURATION	1 PIT	2 THRU-FLOOR	3 BALCONY	NA	NA	NA

**OPTIONS:**

BUFFER SPRING: No  
 COLOR: Texture Black (std) PK622N365



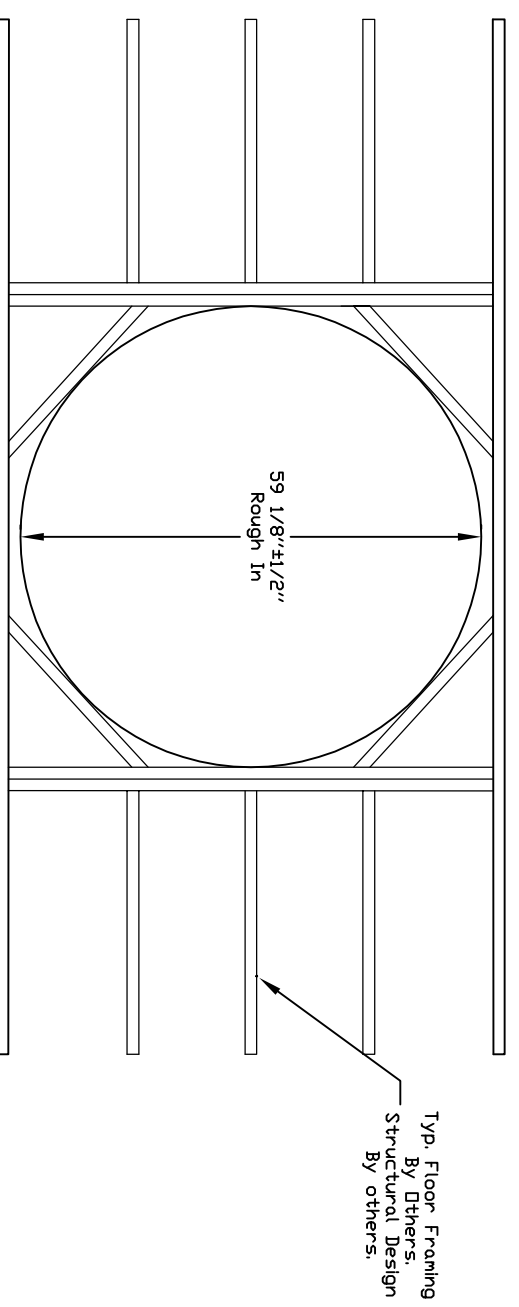
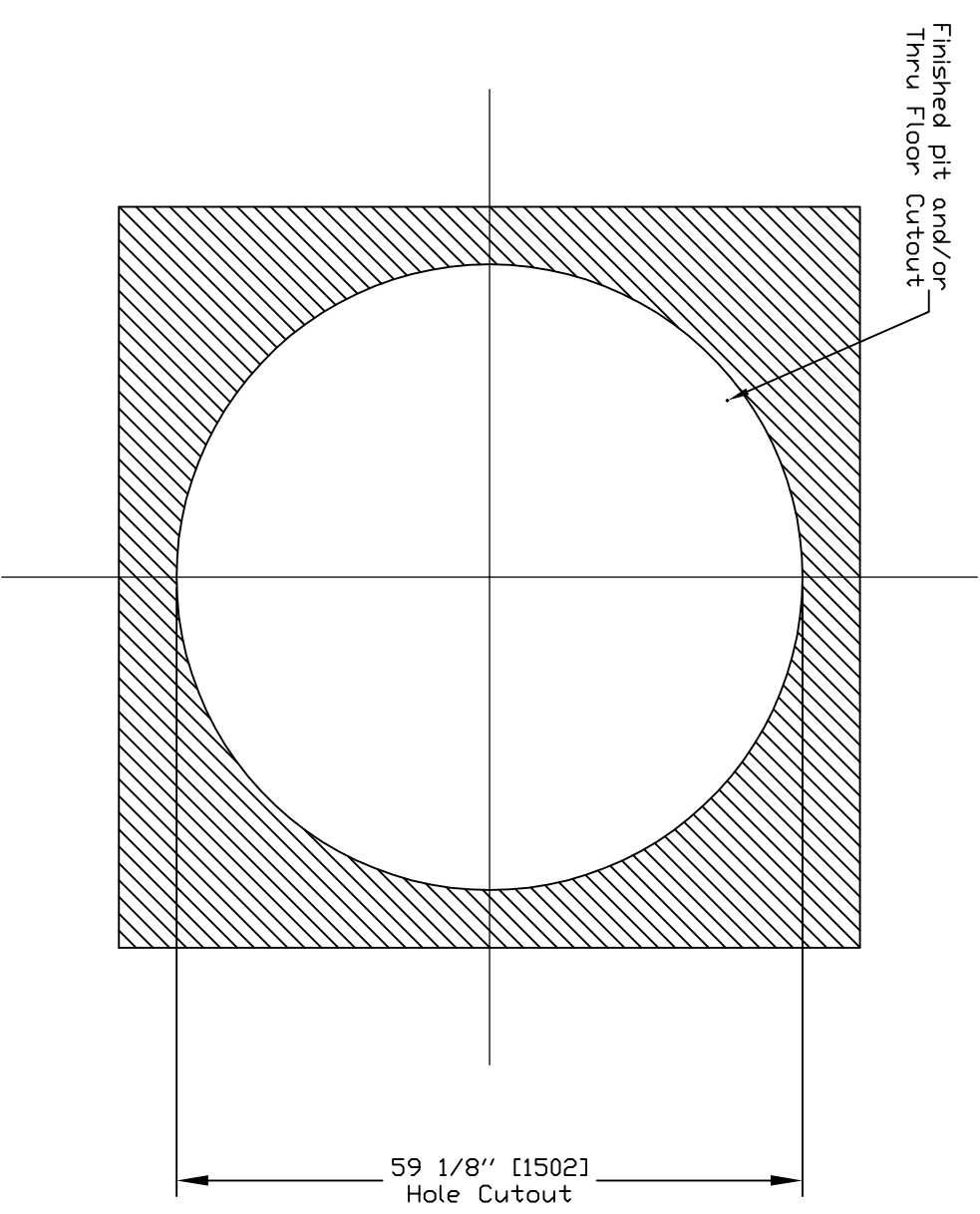
## DATA SHEET

CUSTOMER: JUSTOMER NAME  
 PROJECT: PROJECT NAME  
 ADDRESS: STREET, BOX, CITY, STATE, ZIP  
 DATE: 09/24/2018  
 REVISION DATE: 12/21/2018  
 COMPLETED BY: NID A

OFFICE USE ONLY:	1.5
CONFIGURATION VERSION STAMP:	E-S7311
MODULE VERSION STAMP:	

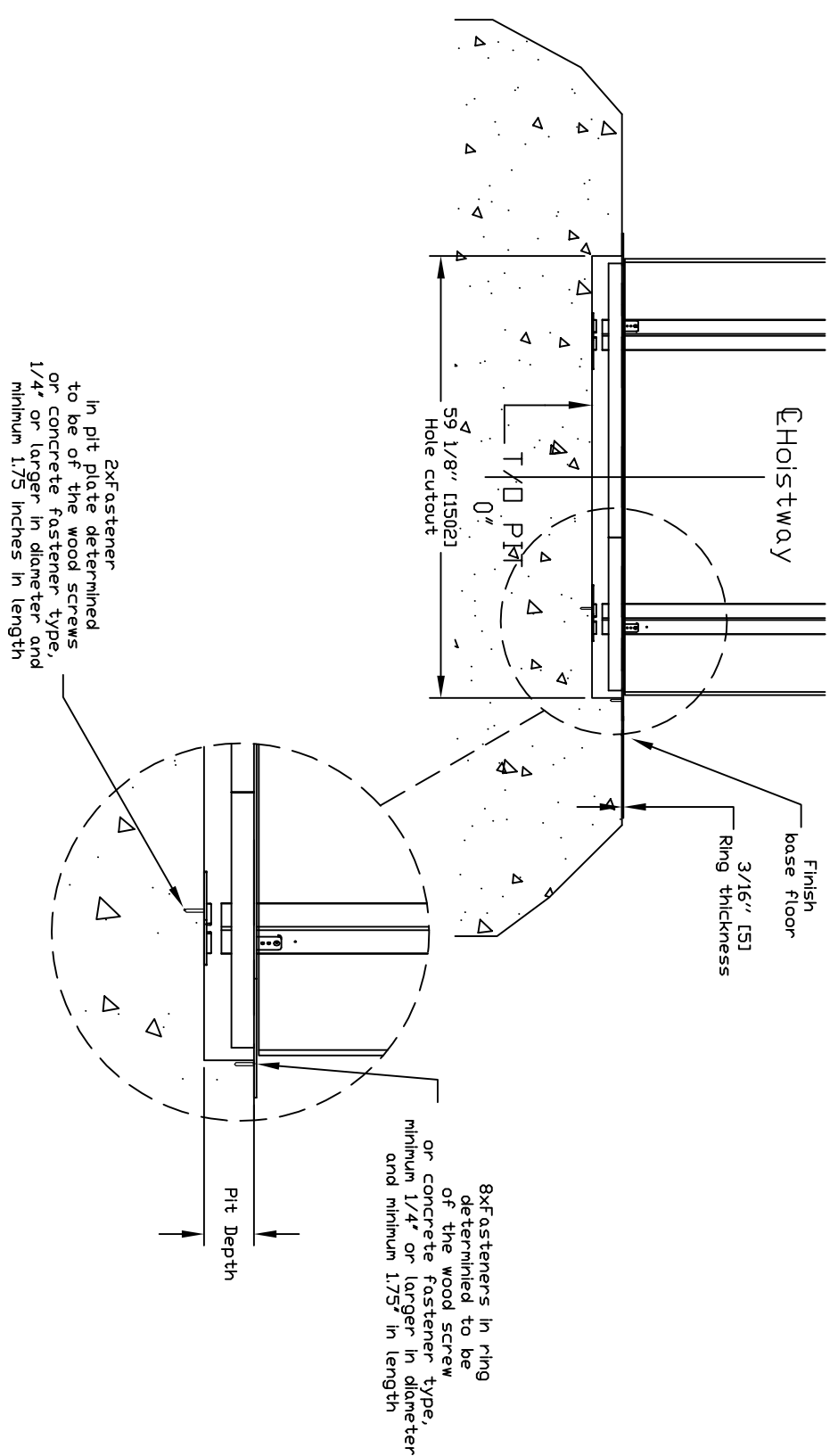
Part No. VUELIFT  
 Variant No. 30035876  
  
 JOB No. JOB NUMBERS  
 SHEET No. 5 OF 6

PLAN VIEW PIT CUTOUT/THRU FLOOR CUTOUT



NOTE:  
 PIT OPTION ROUGH IN AND FINISHED DIMS. ARE IDENTICAL TO THRU-FLOOR ROUGH IN AND FINISHED DIMS.  
 CLEARANCE FROM ADJACENT WALLS TO EDGE OF HOLE/PIT MUST BE MINIMUM 18" ON ALL SIDES.

PIT CUTOUT DETAIL



OFFICE USE ONLY:		Part No.	VUELLIFT
CONFIGURATION VERSION STAMP:		Variant No.	30035876
MODULE VERSION STAMP:		DATE:	09/24/2018
CUSTOMER:	JUSTOMER	REVISION DATE:	12/21/2018
PROJECT:	ROJECT	COMPLETED BY:	ND
ADDRESS:	STREET		
	CITY, PO BOX		
	STATE, ZIP		
		JOB No.	JOB NUMBER
		SHEET No.	6 OF 6

