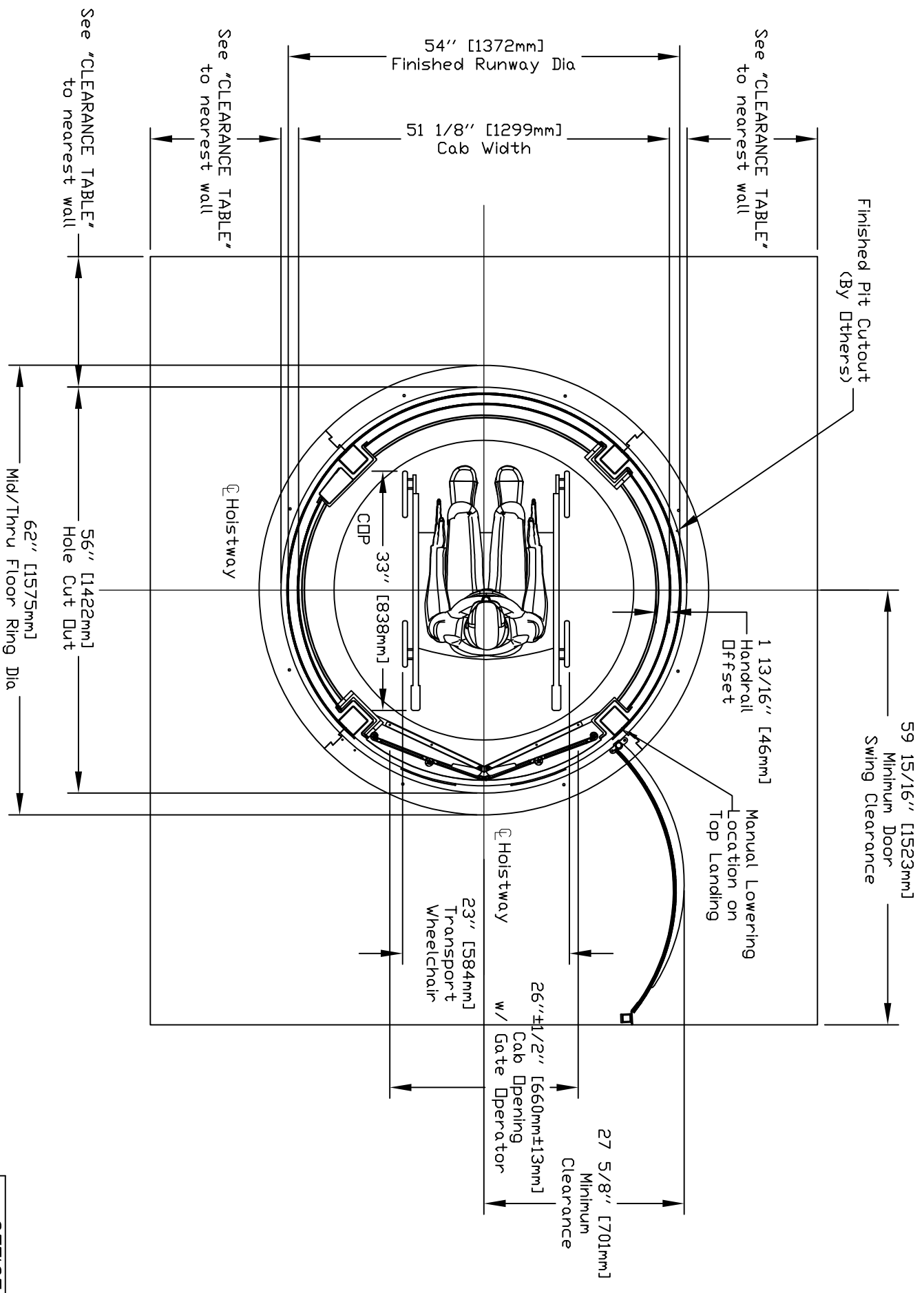


CLEARANCE TABLE

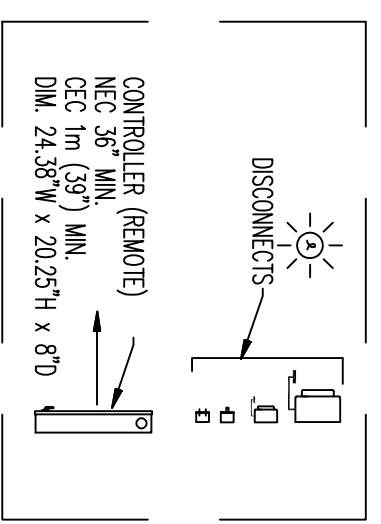
1-WALL	2-WALL	3-WALL
4'	ONE AT 4' AND ONE AT 18'	CONSULT FACTORY

- IN APPLICATION WHERE THE UNIT IS CENTERED INSIDE AN OPEN STRINGER STYLE STAIRCASE, THE CLEARANCE TABLE CAN BE IGNORED PROVIDED THAT THE MINIMUM DIMENSION USED TO ACCOMMODATE THE UNIT INSIDE THE STAIRCASE IS THE SAME AS THE PIT RING. THE STAIRCASE MUST BE OPEN ON ALL FLOORS (INCLUDING LOWER FLOORS) ON ALL 4 SIDES OF THE UNIT. REFER TO PLANNING GUIDE FOR MORE DETAILS.
- THE UNIT CANNOT SERVE AS A FALL BARRIER. A HANDRAIL IS REQUIRED ON THE INTERIOR OF THE STAIRCASE.

TYPE 1 CAR

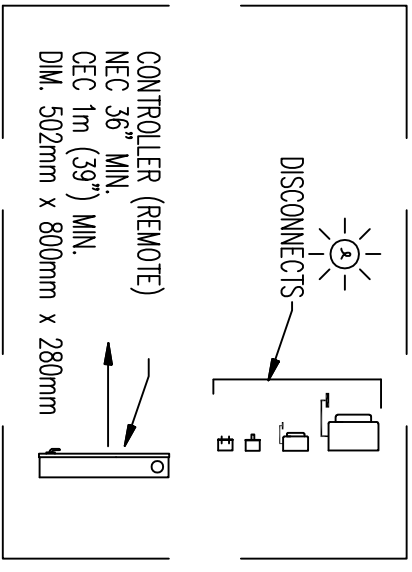


NORTH AMERICAN UNIT CONTROLLER



DISCONNECTS AND CONTROLLER (REMOTE)

EUROPEAN UNIT CONTROLLER



DISCONNECTS AND CONTROLLER (CE REMOTE)

PLAN VIEW

CUSTOMER: _____

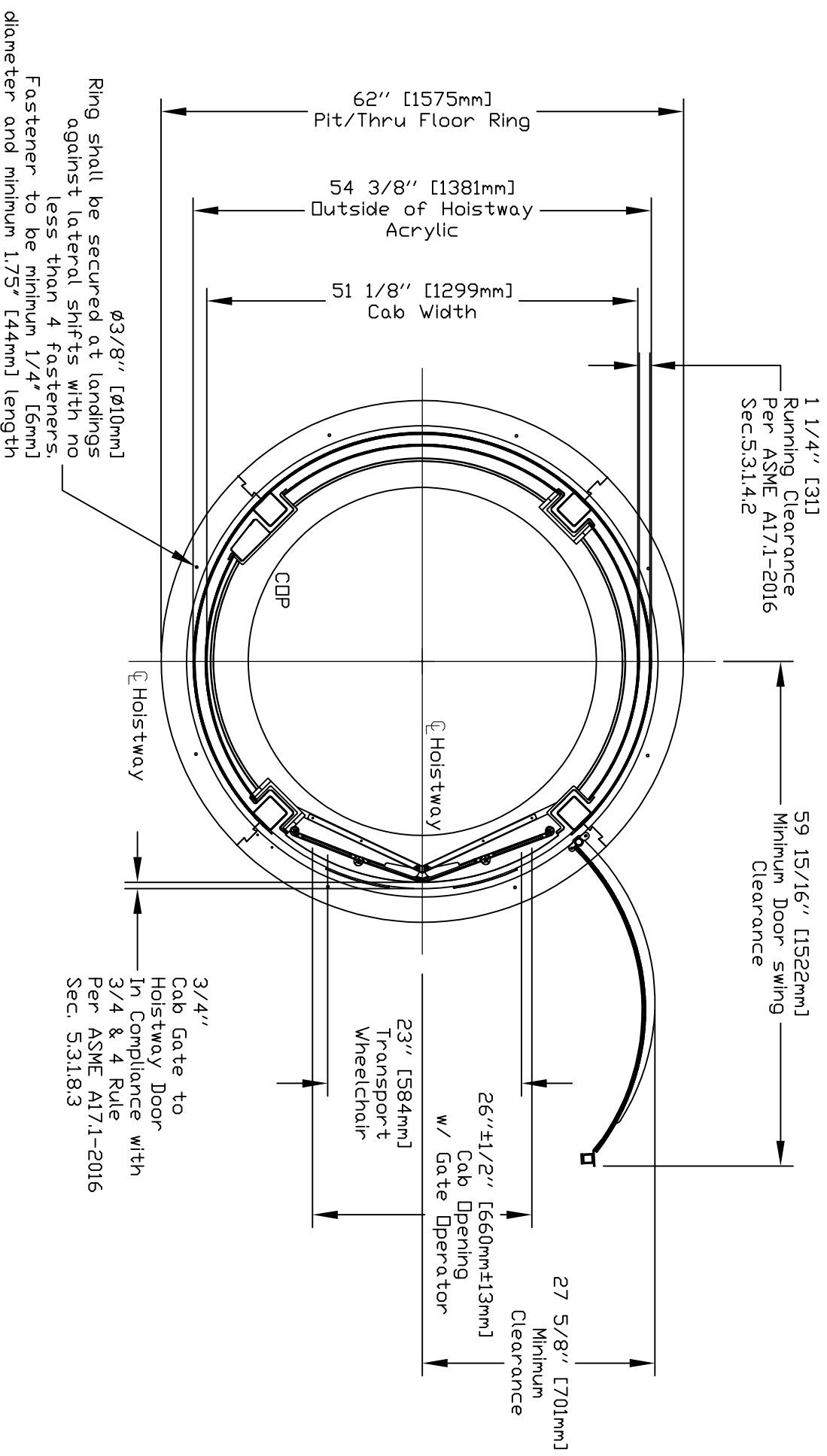
PROJECT: _____

ADDRESS: _____

OFFICE USE ONLY:	Part No.
CONFIGURATION VERSION STAMP:	Round Acrylic
MODULE VERSION STAMP:	Version No.
DATE:	
REVISION DATE:	
COMPLETED BY:	

SHEET No. 1 OF 9

no heated floor 4" [102mm] around any landing and inside the pit or footprint



Disregard and remove page for Pitless applicable

FLOOR 1 - PIT VIEW TYP.

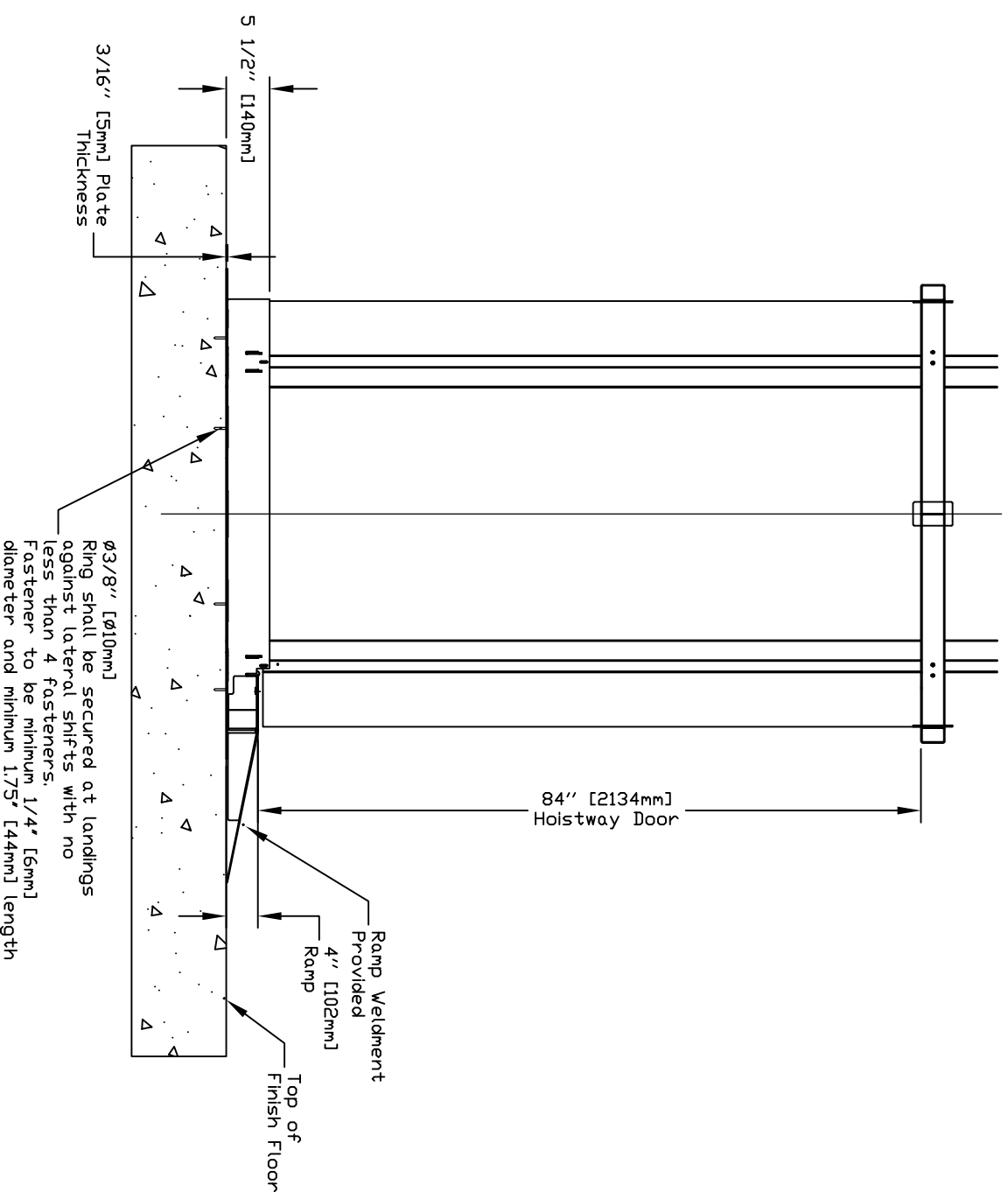
CUSTOMER:	
PROJECT:	
ADDRESS:	
DATE:	
REVISION DATE:	
COMPLETED BY:	

OFFICE USE ONLY:	
CONFIGURATION VERSION STAMP:	1.5
MODULE VERSION STAMP:	VIEW 112

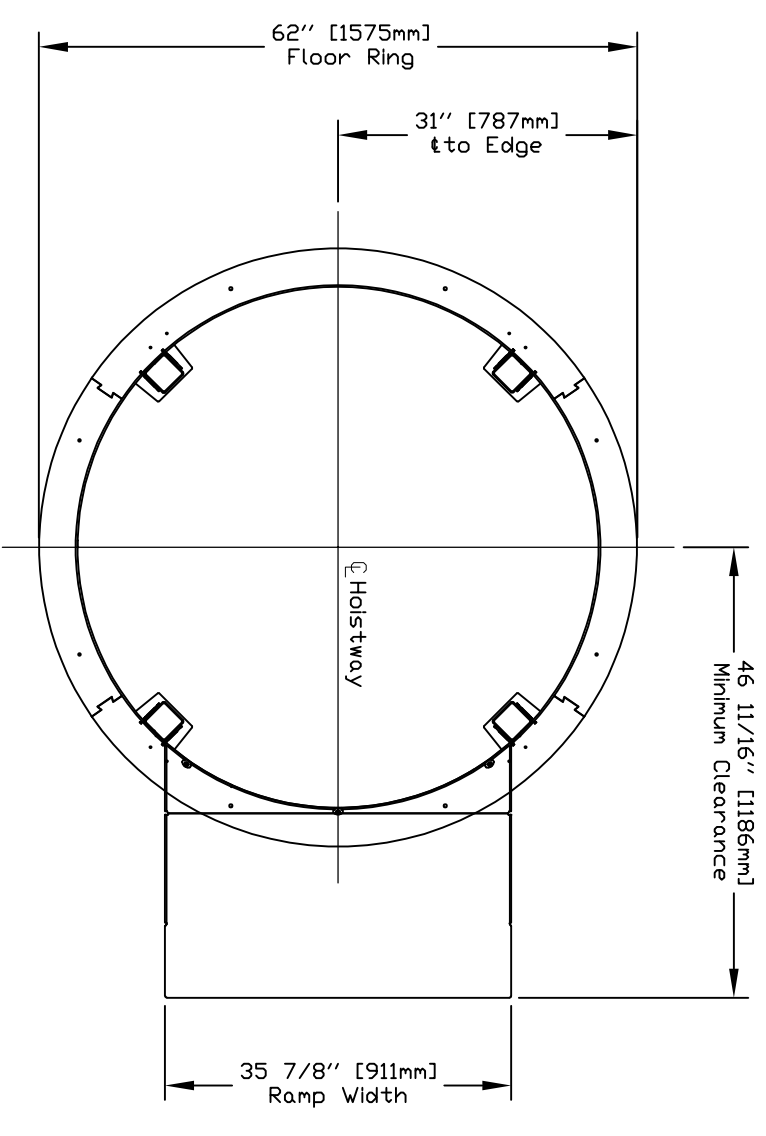
Part No.	Round Acrylic
Version No.	
JOB No.	
SHEET No.	2a OF 9

no heated floor 4" [102mm] around any landing and inside the pit or footprint

BASE RING CONFIGURATION



BASE RING PLAN VIEW

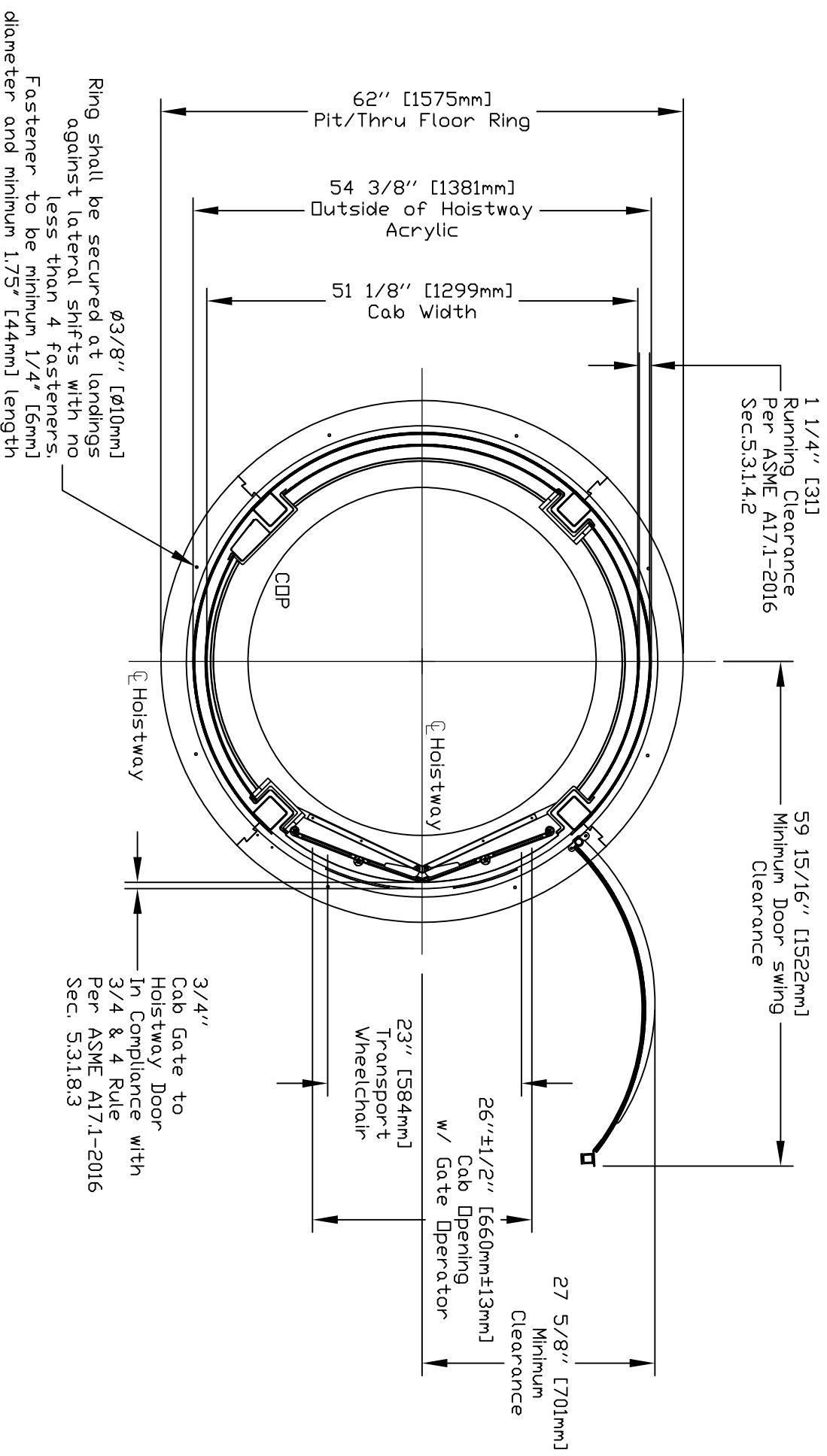


Disregard and remove page if Base Mount Configuration is not used or applicable

BASE MOUNT DETAILS

CUSTOMER:		OFFICE USE ONLY:	
PROJECT:		CONFIGURATION VERSION STAMP: 1.5	
ADDRESS:		MODULE VERSION STAMP: VIE.112	
DATE:	REVISION DATE:	Part No.	Round Acrylic
COMPLETED BY:		Variant No.	
		SHEET No. 2b of 9	
		JOB No.	

no heated floor 4" [102mm] around any landing and inside the pit or footprint

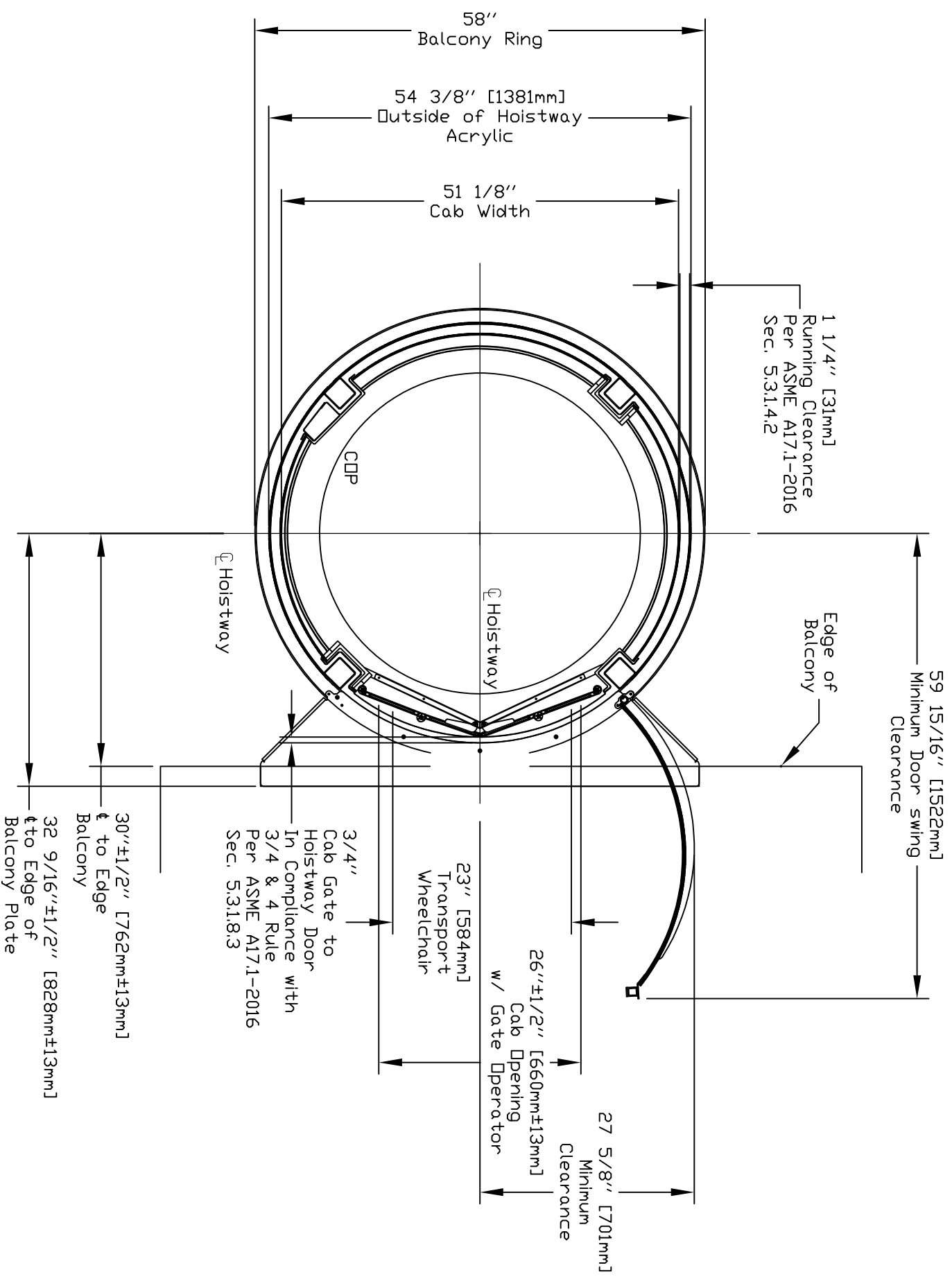


Disregard and remove page if Thru Floor Configuration is not used or applicable

FLOOR 2 - THRU FLOOR VIEW TYP.

CUSTOMER:		OFFICE USE ONLY:	
PROJECT:	ADDRESS:	CONFIGURATION VERSION STAMP:	1.5
DATE:	REVISION DATE:	MODULE VERSION STAMP:	VIEW 112
COMPLETED BY:		Part No.	Round Acrylic
		Version No.	
		Part No.	Round Acrylic
		Version No.	
JOB No.		SHEET No.	3 OF 9

no heated floor 4" [102mm] around any landing and inside the pit or footprint



Disregard and remove page if Balcony Configuration is not used or applicable

FLOOR 3 - BALCONY VIEW TYP.

OFFICE USE ONLY:
 CONFIGURATION VERSION STAMP: 1.5
 MODULE VERSION STAMP: VIE.112

Part No. Round Acrylic
 Variant No.



CUSTOMER: _____

PROJECT: _____

ADDRESS: _____

DATE: _____

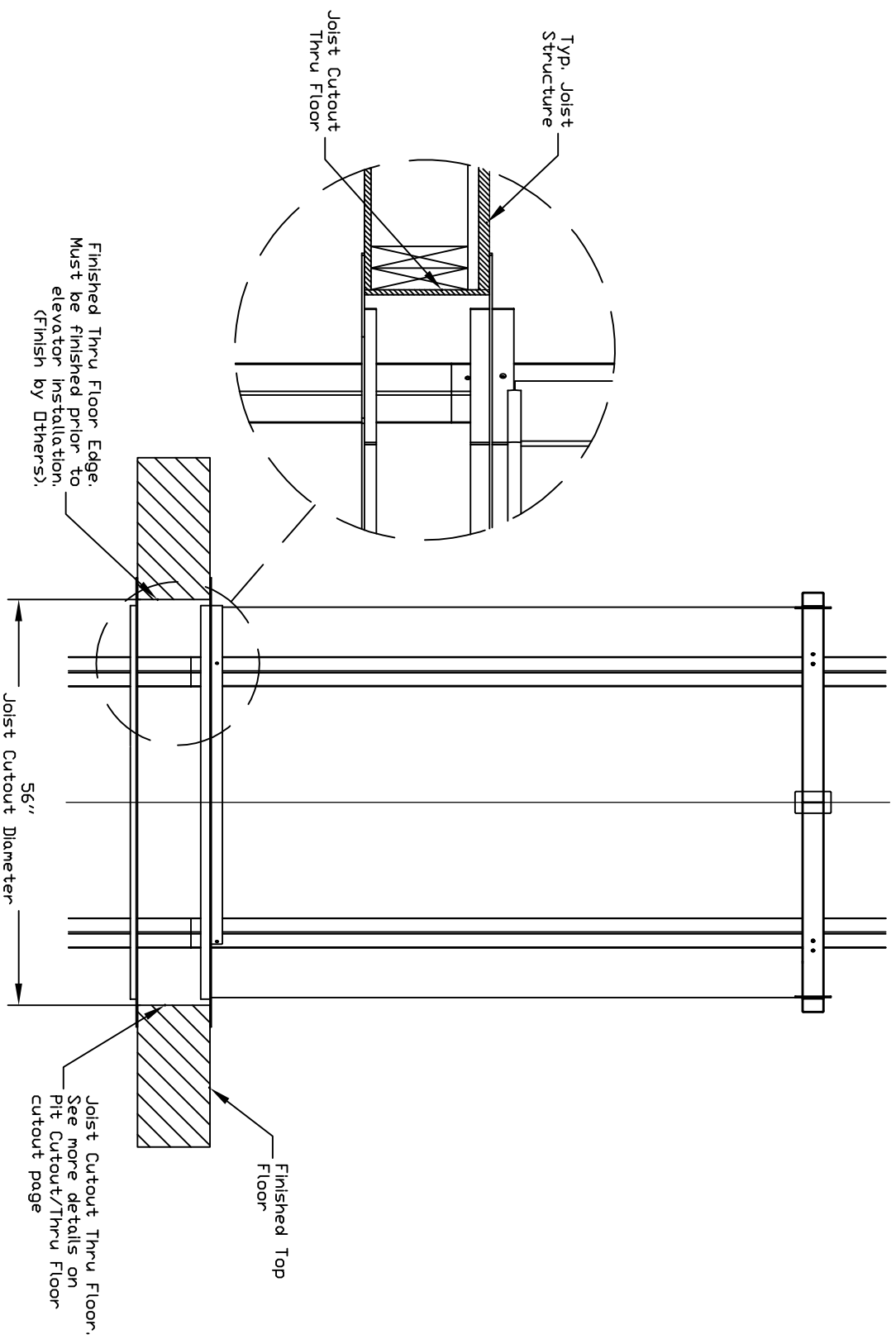
REVISION DATE: _____

COMPLETED BY: _____

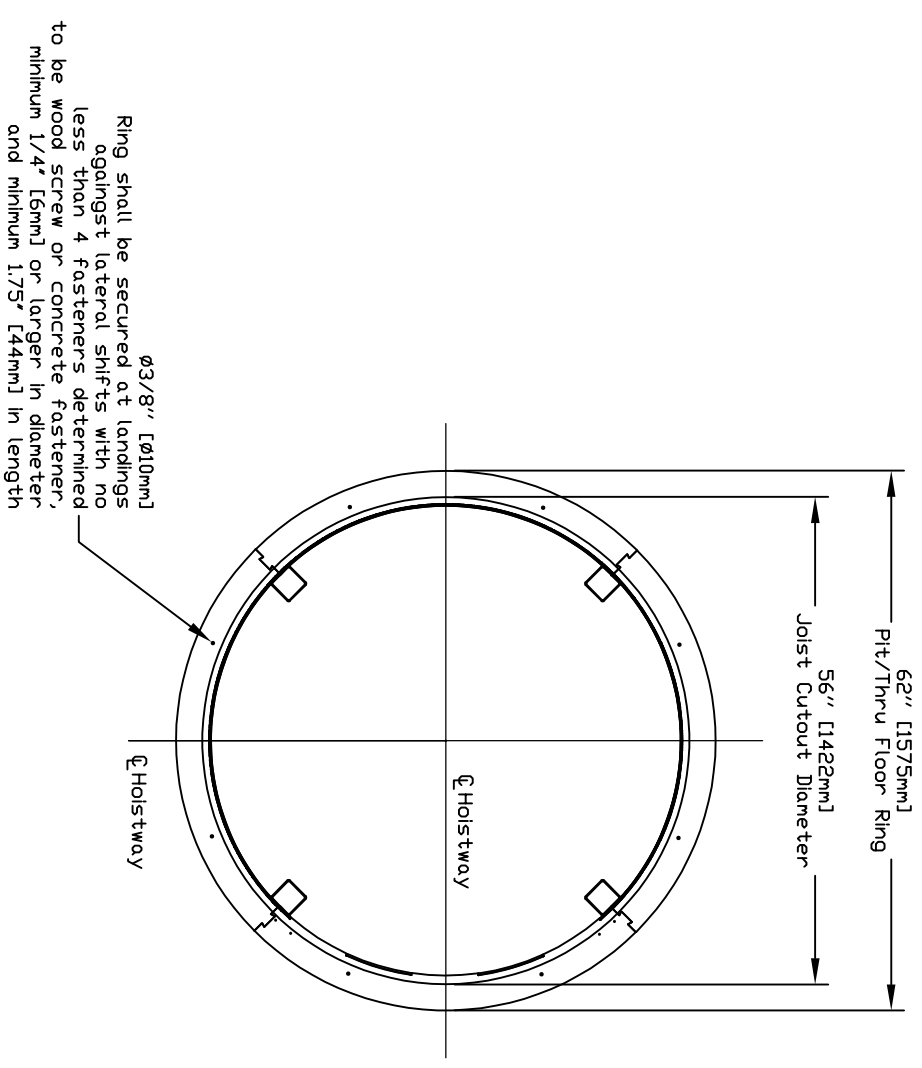
JOB No. _____

SHEET No. 4 OF 9

THRU FLOOR CONFIGURATION



THRU FLOOR PLAN VIEW

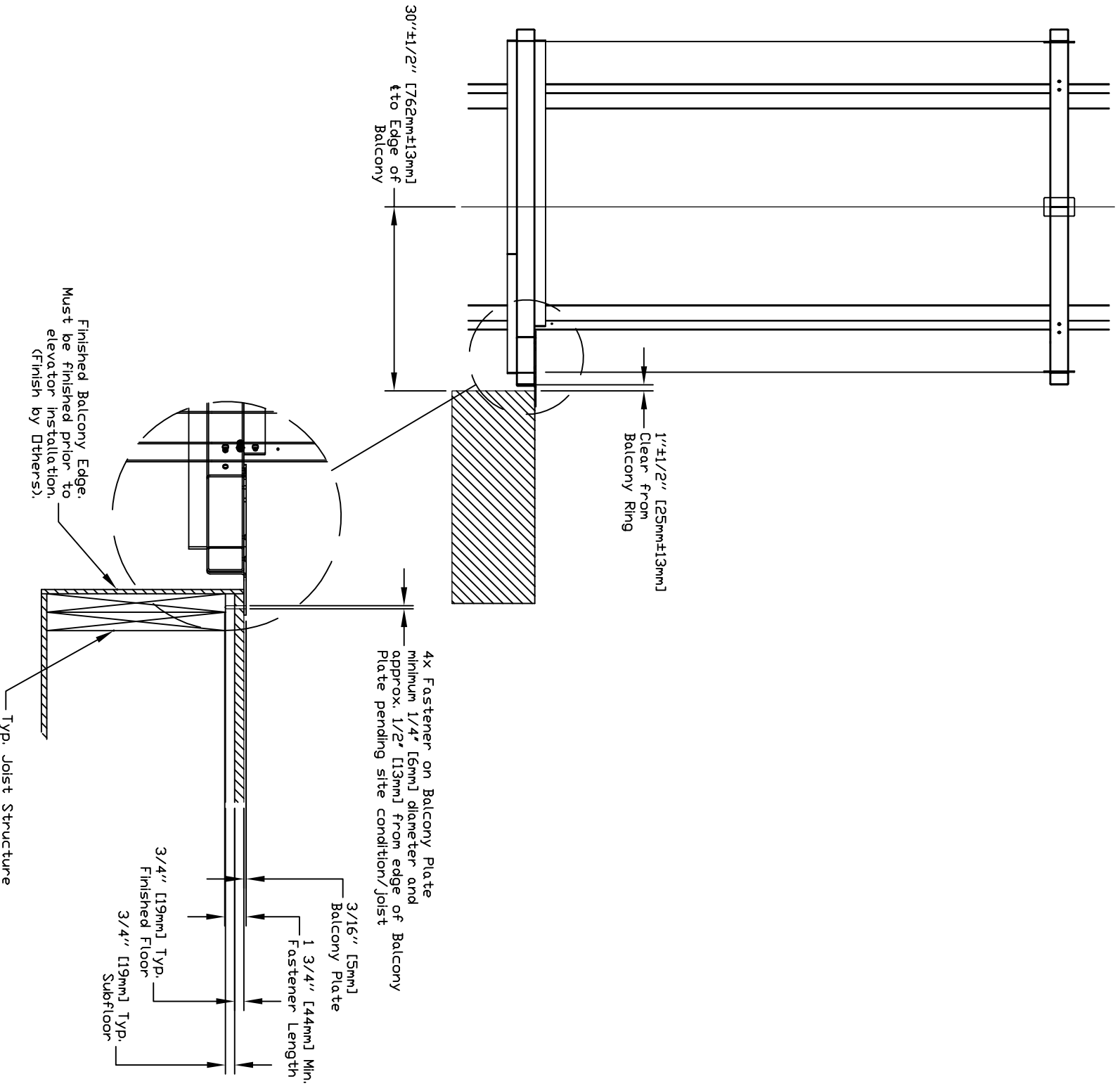


Disregard and remove page if Thru Floor Configuration is not used or applicable

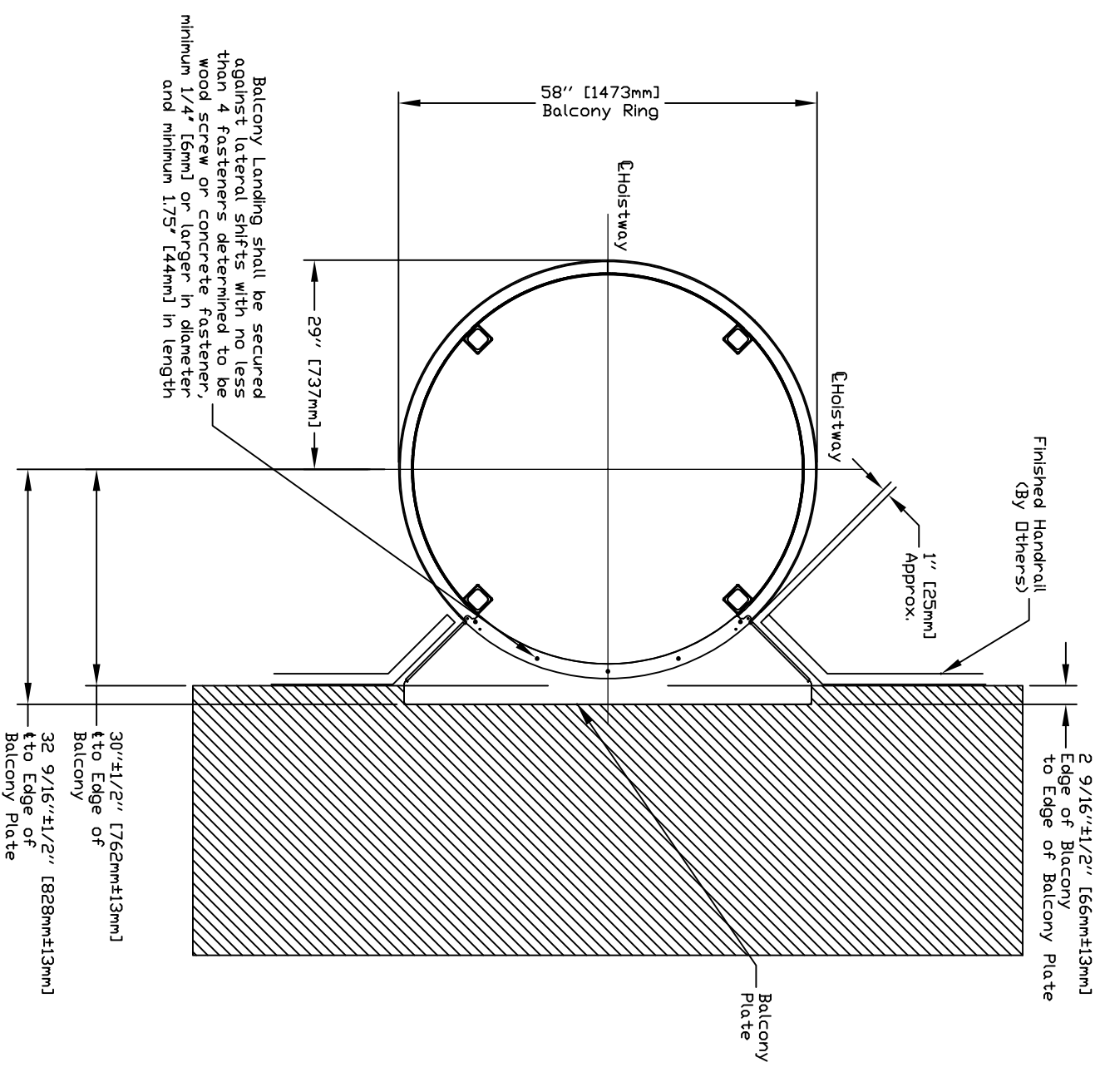
THRU FLOOR DETAILS

CUSTOMER:		OFFICE USE ONLY:	
PROJECT:	ADDRESS:	CONFIGURATION VERSION STAMP:	Part No. Round Acrylic
		MODULE VERSION STAMP:	Version No.
		VIEW: 112	
DATE:	REVISION DATE:	COMPLETED BY:	
		JOB No.	SHEET No.
			5 OF 9

ELEVATION VIEW-BALCONY ATTACHMENT



TOP VIEW BALCONY DETAIL



Disregard and remove page if Balcony Configuration is not used or applicable

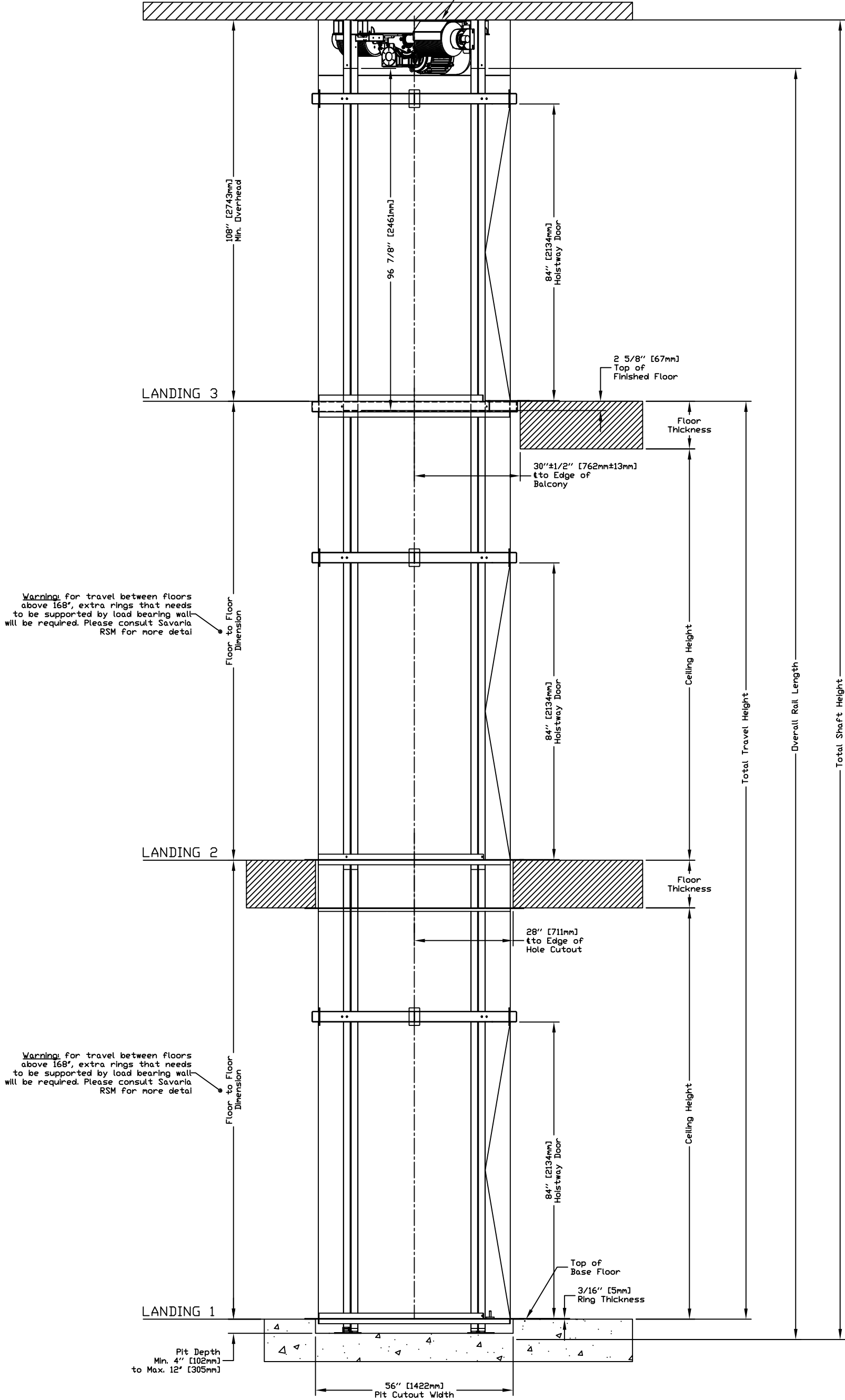
BALCONY DETAILS

OFFICE USE ONLY:	Part No.	Round Acrylic
CONFIGURATION VERSION STAMP:	Variant No.	
MODULE VERSION STAMP:		

CUSTOMER:	DATE:
PROJECT:	REVISION DATE:
ADDRESS:	COMPLETED BY:



For overhead of std. 108", it is recommended that installers use ceiling mounting brackets to help with stabilizing the head frame.
 For overhead that is greater than 108", it is required that installers use ceiling mounting brackets to help with stabilizing the head frame.



Warning: for travel between floors above 168', extra rings that needs to be supported by load bearing wall will be required. Please consult Savaria RSM for more detail

Warning: for travel between floors above 168', extra rings that needs to be supported by load bearing wall will be required. Please consult Savaria RSM for more detail

OFFICE USE ONLY:
 CONFIGURATION VERSION STAMP: 1.5
 MODULE VERSION STAMP: VUE 1.1.2

Part No. Round Acrylic
 Variant No.

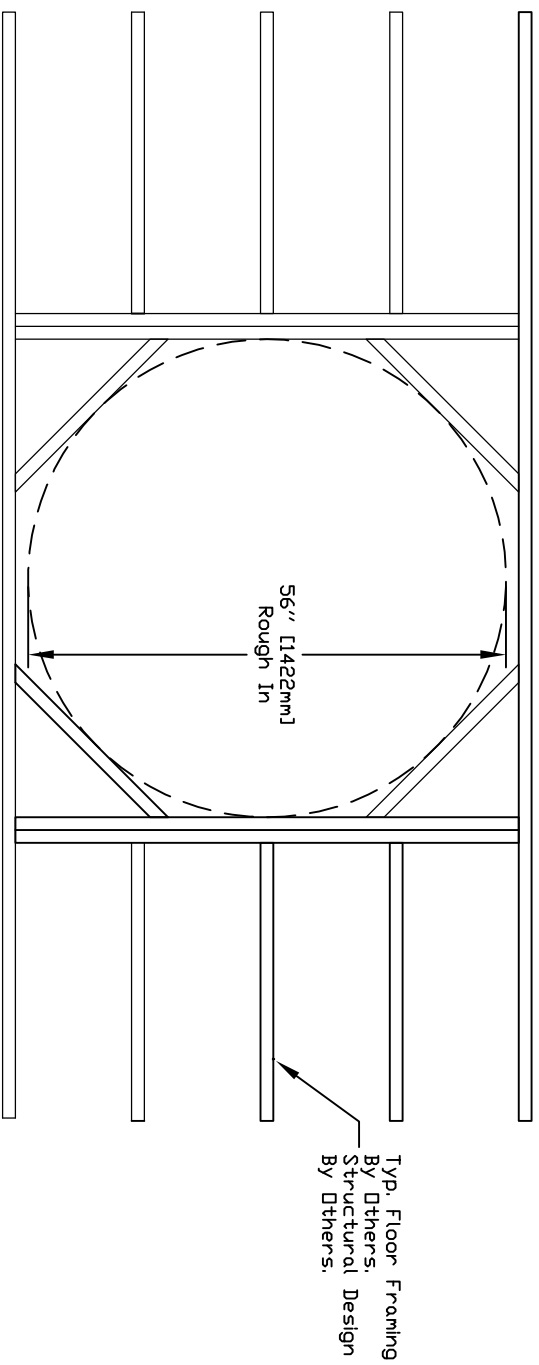
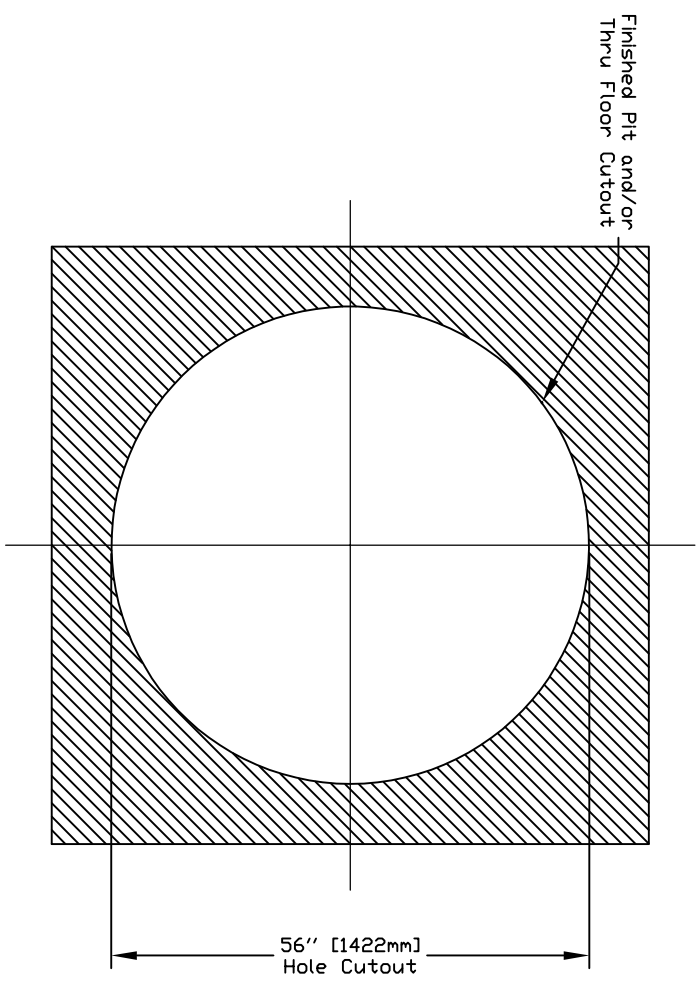
CUSTOMER:
 PROJECT:
 ADDRESS:

DATE:
 REVISION DATE:
 COMPLETED BY:

savaria.
 JOB No.
 SHEET No. 7 OF 9

ELEVATION VIEW B-B

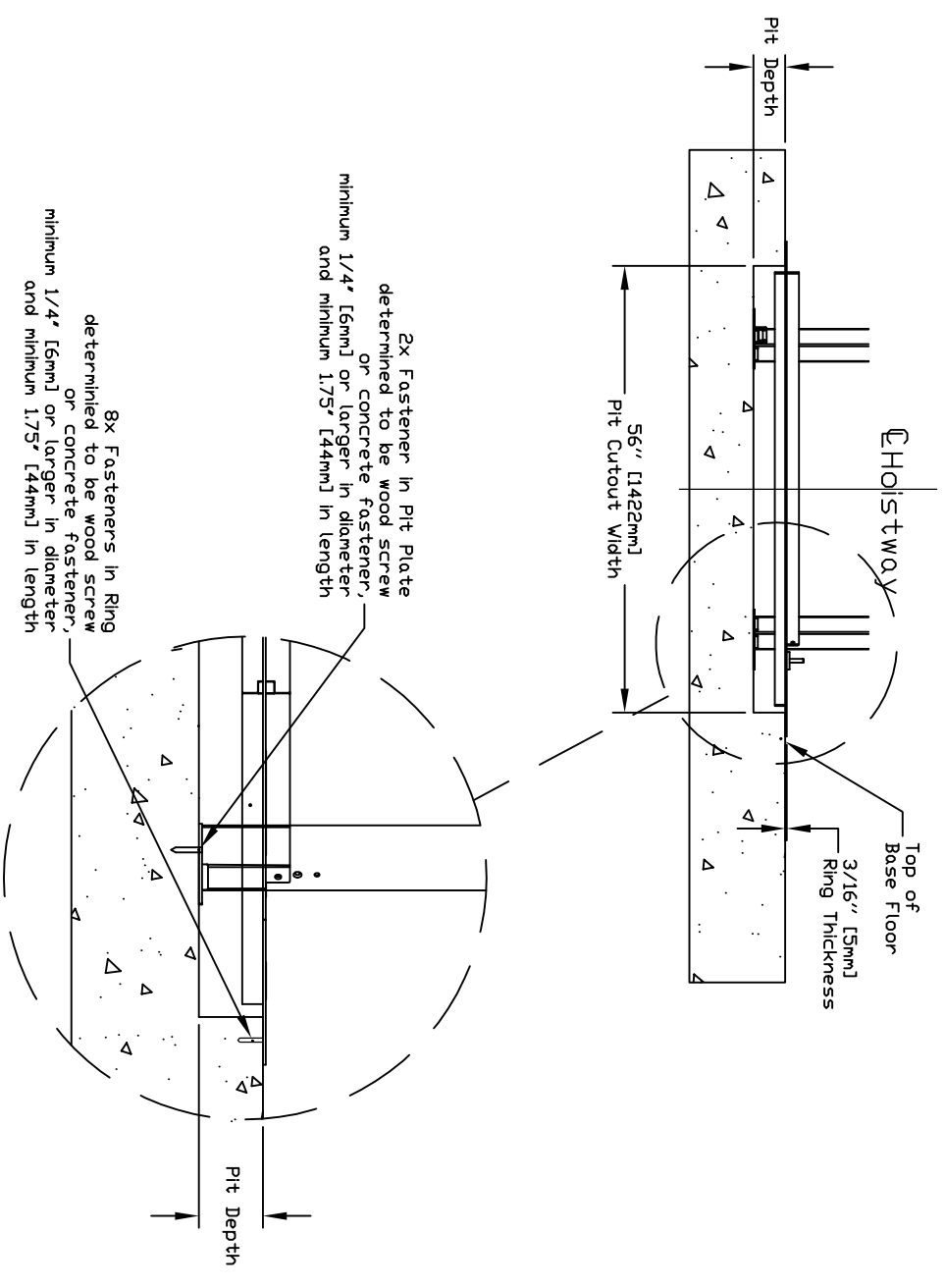
PLAN VIEW PIT CUTOUT/THRU FLOOR CUTOUT



NOTE:
 PIT OPTION ROUGH IN AND FINISHED DIMS ARE IDENTICAL TO THRU-FLOOR ROUGH IN AND FINISHED DIMS.
 WHEN THERE IS TWO OR MORE WALLS SURROUNDING THE UNIT 18" OF ADDITIONAL CLEAR SPACE IS REQUIRED ON ONE OR MORE SIDES.
 WHEN THE UNIT IS UP AGAINST ONE WALL 4" OF CLEAR SPACE IS REQUIRED BETWEEN WALL AND ELEVATOR.

Disregard and remove page if Pit/Thru Floor Configuration is not used or applicable

PIT CUTOUT DETAIL



PIT CUTOUT AND THRU FLOOR CUTOUT

CUSTOMER: _____

PROJECT: _____

ADDRESS: _____

OFFICE USE ONLY:
 CONFIGURATION VERSION STAMP: 1.5
 MODULE VERSION STAMP: VIE.112

DATE: _____

REVISION DATE: _____

COMPLETED BY: _____

Part No. Round Acrylic

Version No. _____

savarria.

SHEET No. 8 OF 9

PROVISIONS BY OTHERS

***GENERAL**
 CONSTRUCTION SITE. OWNER/AGENT TO PROVIDE ALL MASONRY, CARPENTRY AND DRYWALL WORK AS REQUIRED. FLOORS SHALL BE IN FINISHED STATE PRIOR TO INSTALLATION OF UNIT.

DIMENSIONS: CONTRACTOR/CUSTOMER TO VERIFY ALL CLEARANCE DIMENSIONS PRIOR TO UNIT DELIVERY.

***STRUCTURAL**

FLOOR LOADS: STRUCTURAL ENGINEER TO ASSURE THAT BUILDING WILL SAFELY SUPPORT LOADS IMPOSED BY THE LIFT EQUIPMENT. REFER TO TABLES ON THIS DRAWING FOR PIT/FLOOR LOADS IMPOSED BY THE EQUIPMENT.

***ELECTRICAL**

POWER SUPPLY: (SEE SPECIFICATIONS BELOW) LOCKABLE FUSED DISCONNECTS INSTALLED IN COMPLIANCE WITH ELECTRICAL CODE TO BE PROVIDED PRIOR TO INSTALLATION, ROUGHED IN POWER TO LIFT UNIT MUST BE PROVIDED TO CONTROLLER LOCATION PRIOR TO INSTALLATION.

ELECTRICAL GFCI OUTLET IN HOISTWAY PIT IF REQUIRED.

PERMANENT POWER: BEFORE INSTALLATION CAN BEGIN, PERMANENT POWER MUST BE SUPPLIED.

HANDRAILS: ALL BALCONY LEVELS REQUIRE HANDRAILS TO BE INSTALLED PER LOCAL CODES AFTER INSTALLATION IS COMPLETED. HANDRAIL AND INSTALLATION TO BE PROVIDED BY CONTRACTOR/CUSTOMER. SAVARIA AND/OR LOCAL INSTALLER ARE NOT RESPONSIBLE FOR HANDRAIL INSTALLATION OR MATERIALS.

POWER SUPPLY SPECIFICATIONS	DISCONNECT SIZE	TIME DELAY FUSE SIZE	VOLTS	PHASE	AMPERAGE
MOTOR & EQUIP.	30 AMPS	30 AMPS	230	SINGLE	20.2 AMPS
CAB LIGHTS	15 AMPS	15 AMPS	115	SINGLE	-
PIT LIGHTS (IF REQUIRED)	15 AMPS	15 AMPS	115	SINGLE	-

TELEPHONE CIRCUIT SHALL BE BROUGHT TO A LOCATION NEXT TO THE CONTROLLER AND BE AVAILABLE TO CONNECT AND TEST UPON ELEVATOR INSTALLATION.

OPTIONS :

1. SAVARIA LINK WITH ANTENNA: ENSURE THAT YOU HAVE A WIRELESS SIGNAL WITH INTERNET CAPABILITY IN THE VICINITY OF UNIT'S CONTROLLER
2. SAVARIA LINK WITH ETHERNET: ENSURE THAT YOU HAVE AN ETHERNET CONNECTION WITH INTERNET CAPABILITY IN THE VICINITY OF UNIT'S CONTROLLER
3. NO SAVARIA LINK: NO SPECIAL REQUIREMENT

GENERAL

CLASSIFICATION: Residential Building
 APPLIED CODE: ASME 17.1-2013 SEC. 5.3
 WALLS: Clear Acrylic - ANSI Z97.1
 NUMBER OF FLOORS: 6 Max.
 MODEL: Round Acrylic
 CAPACITY: 840lbs [381kg]
 NOMINAL SPEED: 32 fpm (0.16 m/s) UP AND DOWN
 TOTAL TRAVEL: 49', 13 ft±, 1.2m, 1.3 m±
 CAB FLOOR AREA: 84" [2.13 m]
 CAB INT HEIGHT: 84" [2.13 m]
 CAB WEIGHT: 650 lb [295 kg]
 PIT DEPTH (OPTION):
 POWER SUPPLY: 60 Hz Single Phase 240 volt (60Hz)
 CAB DOOR: Automatic Op. Bi-Folds
 SAFETIES: 2 Type A Instantaneous Safeties in compliance with ASME A17.1 Sections 2.17.8.1 & 1.17.5.1
 Mfg: Savaria P/N: VL481001-01

SUSPENSION:

TYPE: Galvanized Aircraft Cable 2x3/8" dia
 CONSTRUCTION: 1WRC 7 x 19 RHRL
 NOMINAL STRENGTH: 14,400 lbs [6531 kg]
 WT. OF ROPES: 0.243 lbs/ft [3.616 g/cm]
 TRAVEL CABLE WT: 0.228 lbs/ft [3.393 g/cm]

DRIVETRAIN:

TYPE: Winding Drum
 MOTOR: 5 HP [3.5kW]
 TRANSMISSION: Ultra-Low Vibration 3-Stage Right Angle Helical-Bevel Drive
 MOTOR CONTROL: Pre-Programmed Variable Freq. Drive
 DOOR INTERLOCKS: Xtronics E10983-1901 certified in compliance with ASME A17.1 Sections 2.12.4.3
 PIT/FLOOR LOAD: (# of Floors*250) + 2210 Dead Load (lbs) (m of Hoistway*67) + (# of Floors*113) + 1002 Dead Load (kg)

Based on this configuration:

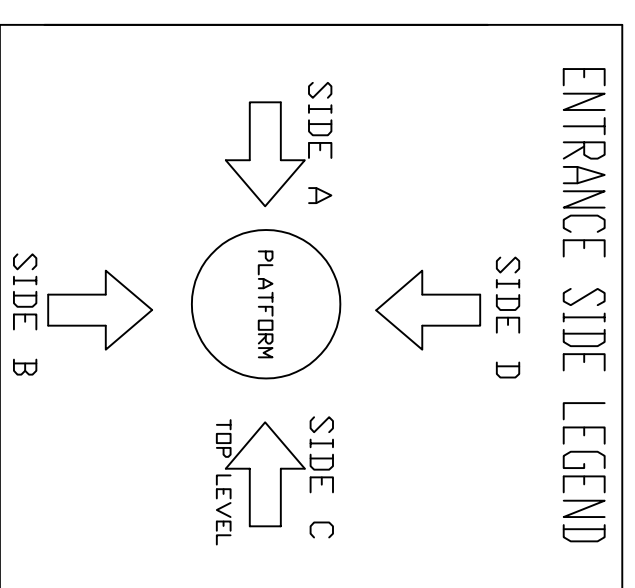
LOWER FLOOR DEAD LOAD:	4452 lbs [2019 kg]
LOWER FLOOR IMPACT LOAD:	250 lbs [113 kg]

* SEE ELEVATION VIEW FOR ADDITIONAL HEADER RING TO SUPPORT EXTRA LONG FLOOR TO FLOOR OPTIONS:

- BUCK BOOSTER: Required if input power supply is not 240 volt AC
- BUFFER SPRING: If applicable for habitable space below, Min. pit 4'
- CAR TOP INSPECTION: _____
- COLOR: _____ Distance between Head Frame and Control Room
- CONDUCTOR CABLE: _____ Internal or External to hoistway
- CONTROLLER LOCATION: _____ Black acrylic (Standard)
- HEADER RING FINISH: _____ Cut on site or Factory cut
- FACTORY CUT GLASS/ACRYLIC: _____
- FLOOD SWITCH: _____ Manual or Hydraulics Landing Doors
- LANDING DOOR CLOSER: _____ Stainless Steel (Standard)
- LANDING DOOR HANDLE: _____

FIRST DOOR BY LANDING CHART

DOOR TYPE	LANDING 1	LANDING 2	LANDING 3
ENTRANCE SIDE	Swing	Swing	Swing
DOOR SWING	Side C	Side C	Side C
LOCK TYPE	LH or RH Swing	LH or RH Swing	LH or RH Swing
HALL CALL KEY SWITCH	X Lock	X Lock	X Lock
FLOOR MARKING	ND	ND	ND
LANDING CONFIGURATION	Pit or Ramp	Thru Floor Shown	Balcony Shown



DATA SHEET

CUSTOMER: _____
 PROJECT: _____
 ADDRESS: _____

OFFICE USE ONLY:
 CONFIGURATION VERSION STAMP: 1.5
 MODULE VERSION STAMP: VIE 112

DATE: _____
 REVISION DATE: _____
 COMPLETED BY: _____
 Part No. Round Acrylic
 Variant No.
savaria.
 SHEET No. 9 OF 9