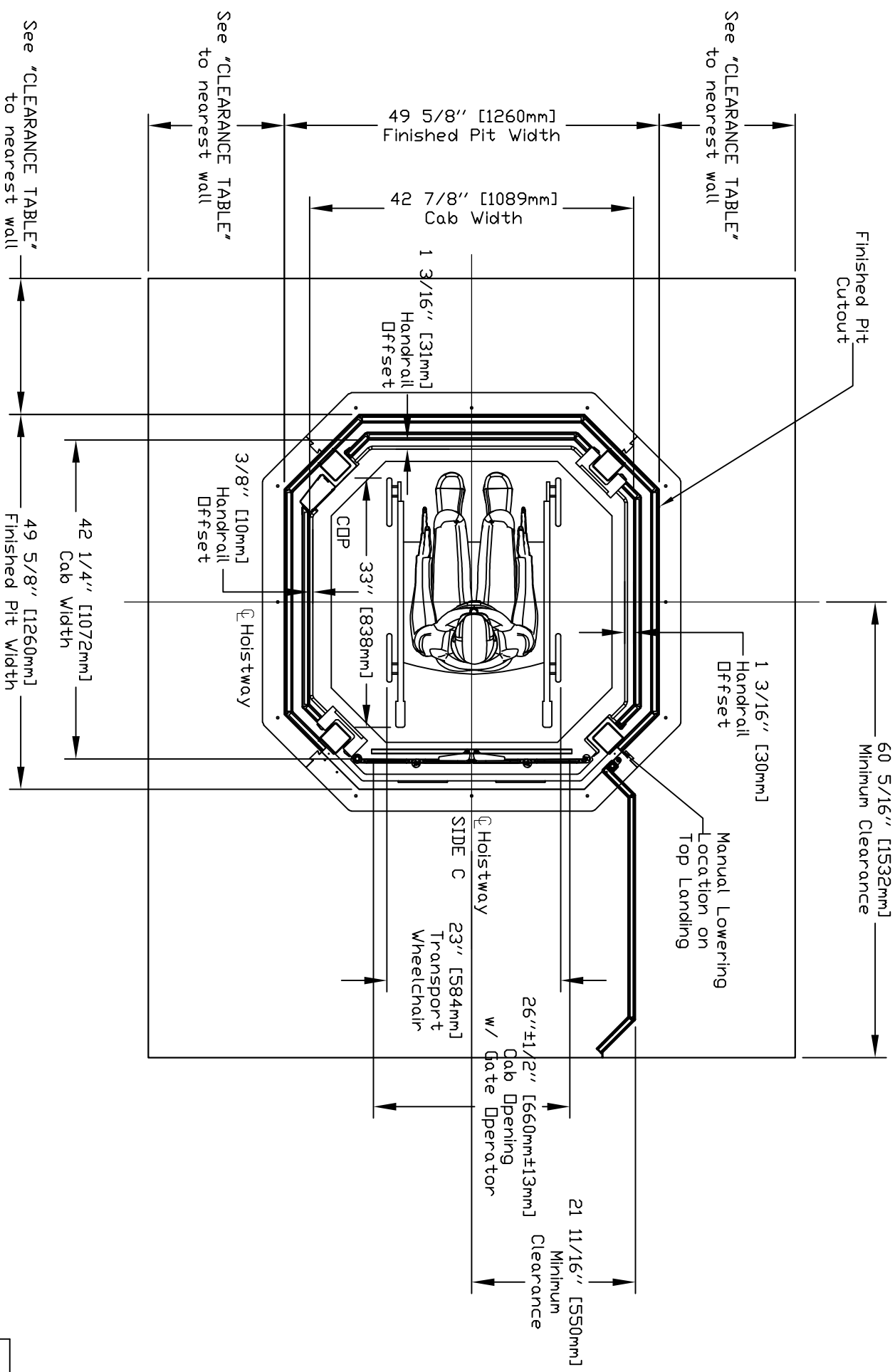


CLEARANCE TABLE

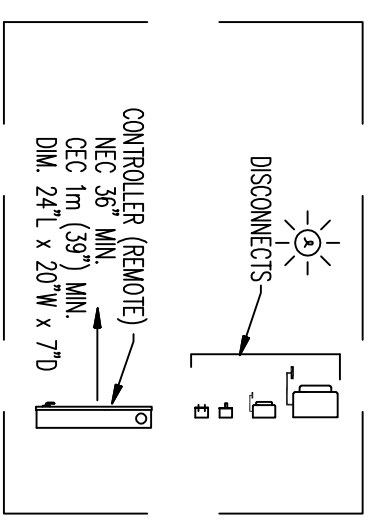
1-WALL	2-WALL	3-WALL
4'	ONE AT 4' AND ONE AT 18'	CONSULT FACTORY

- IN APPLICATION WHERE THE UNIT IS CENTERED INSIDE AN OPEN STRINGER STYLE STAIRCASE, THE CLEARANCE TABLE CAN BE IGNORED PROVIDED THAT THE MINIMUM DIMENSION USED TO ACCOMMODATE THE UNIT INSIDE THE STAIRCASE IS THE SAME AS THE PIT RING. THE STAIRCASE MUST BE OPEN ON ALL FLOORS (INCLUDING LOWER FLOORS) ON ALL 4 SIDES OF THE UNIT. REFER TO PLANNING GUIDE FOR MORE DETAILS.
- THE UNIT CANNOT SERVE AS A FALL BARRIER. A HANDRAIL IS REQUIRED ON THE INTERIOR OF THE STAIRCASE.

TYPE 1 CAR

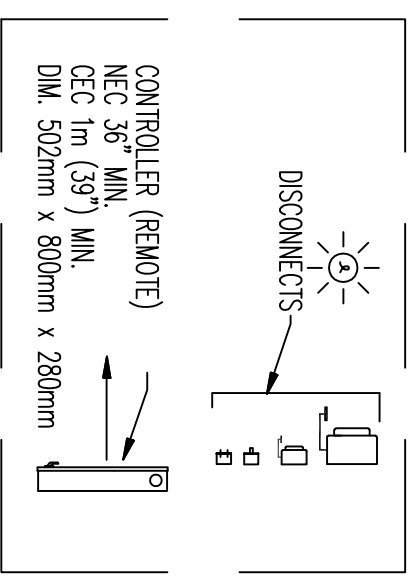


NORTH AMERICAN UNIT CONTROLLER



DISCONNECTS AND CONTROLLER (REMOTE)

EUROPEAN UNIT CONTROLLER



DISCONNECTS AND CONTROLLER (CE REMOTE)

OFFICE USE ONLY:	Part No.
CONFIGURATION VERSION STAMP:	1.5
MODULE VERSION STAMP:	Veriont No.
	DATE:
	REVISION DATE:
	COMPLETED BY:

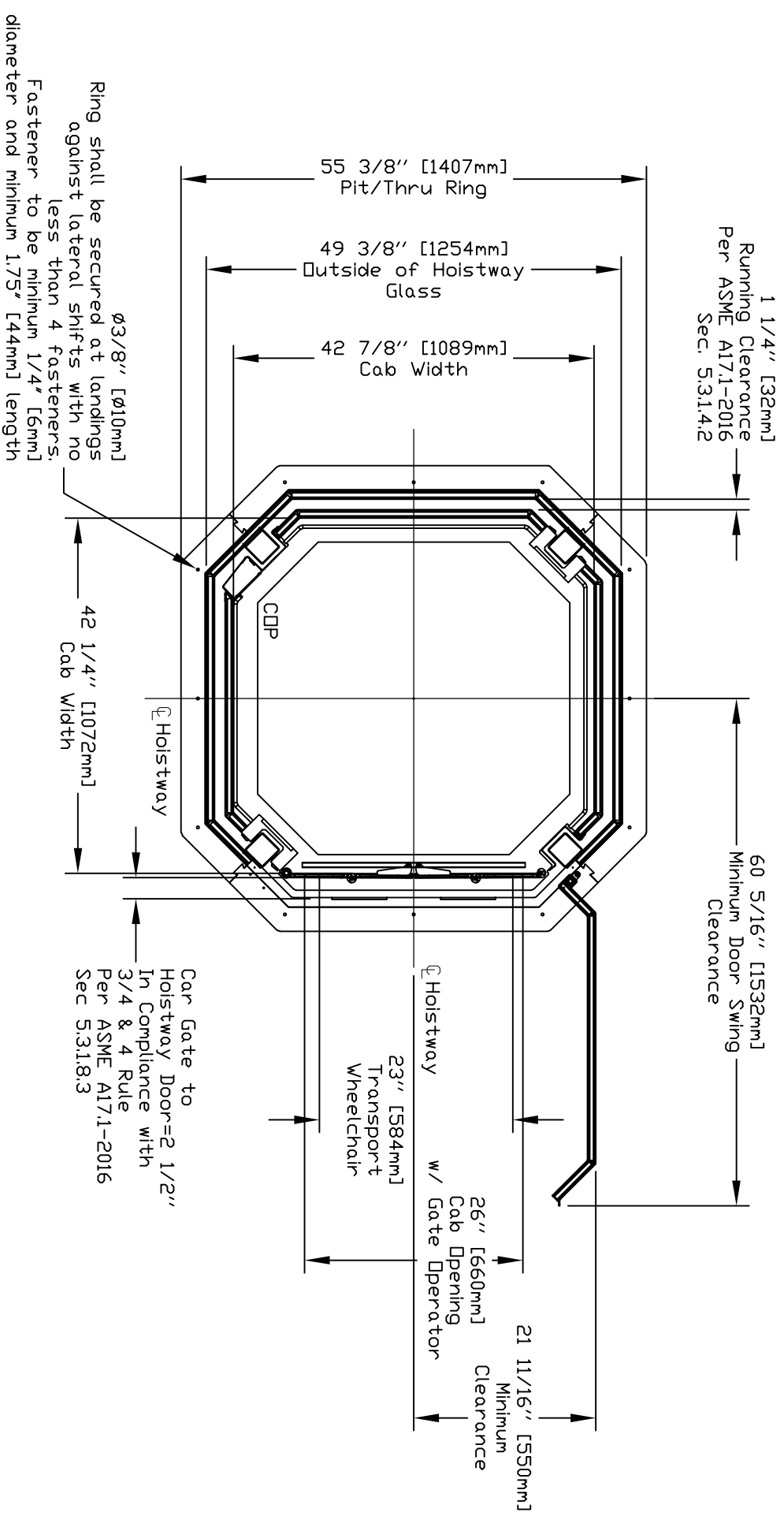
Part No.	Octagonal Glass
Veriont No.	



PLAN VIEW

CUSTOMER:	PROJECT:	REVISION DATE:	JOB No.
	ADDRESS:	COMPLETED BY:	SHEET No.
			1 OF 9

no heated floor 4' [102mm] around any landing and inside the pit or footprint



Disregard and remove page for Pitless applicable

FLOOR 1 - PIT VIEW TYP.

OFFICE USE ONLY:
CONFIGURATION VERSION STAMP: 1.5
MODULE VERSION STAMP: VIE_112

Part No. Octagonal Glass
Version No.



CUSTOMER:

PROJECT:

ADDRESS:

DATE:

REVISION DATE:

COMPLETED BY:

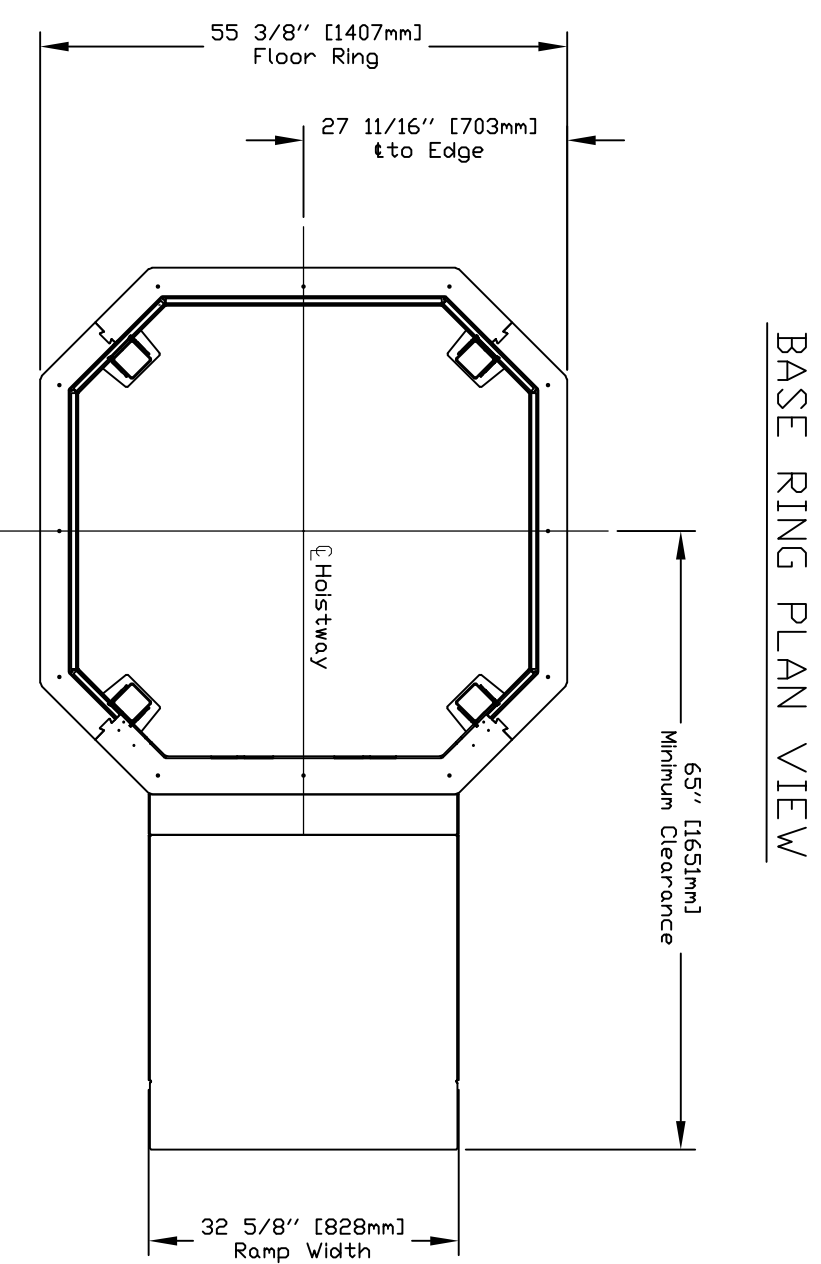
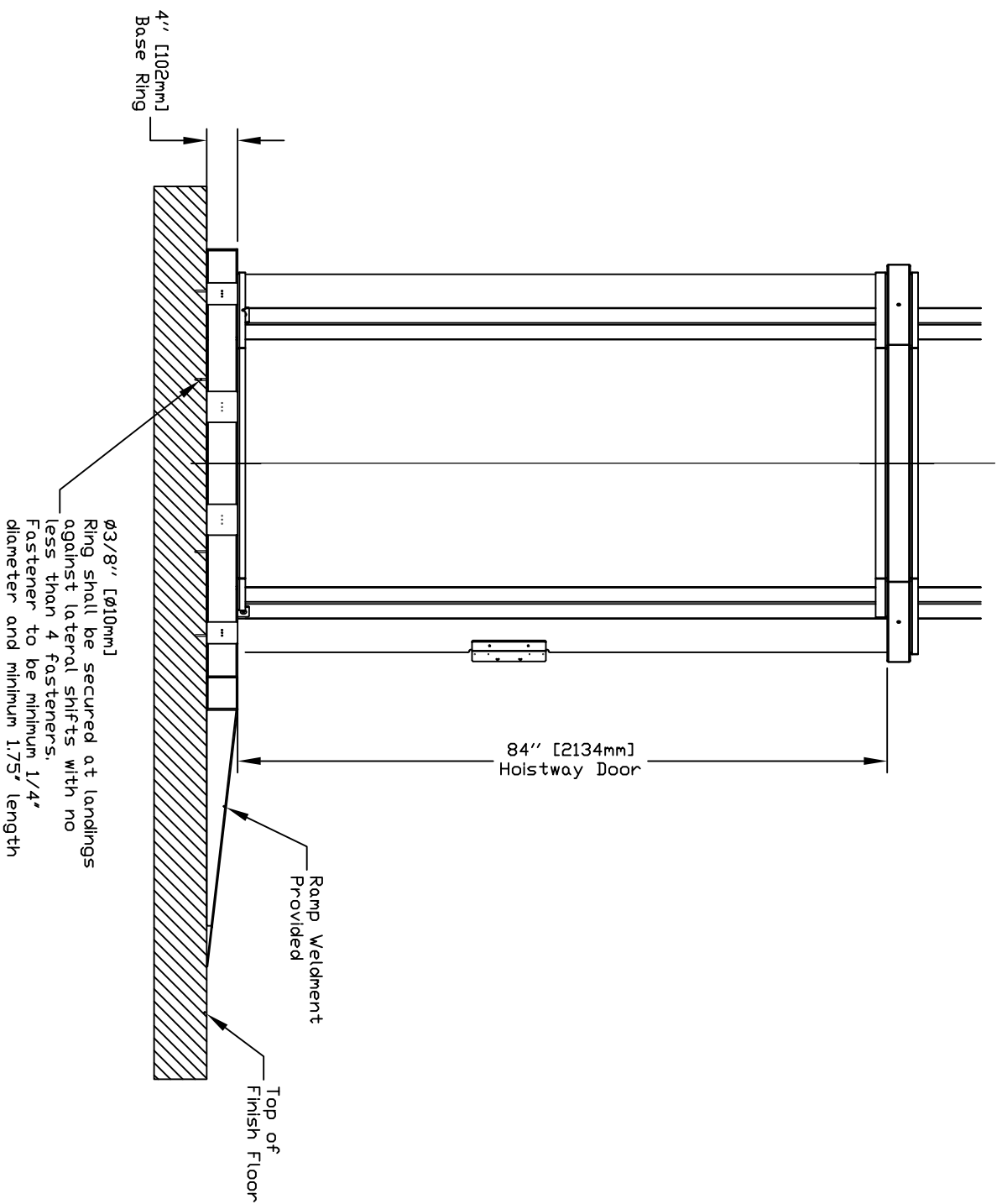


JOB No.

SHEET No.

no heated floor 4" [102mm] around any landing and inside the pit or footprint

BASE RING CONFIGURATION



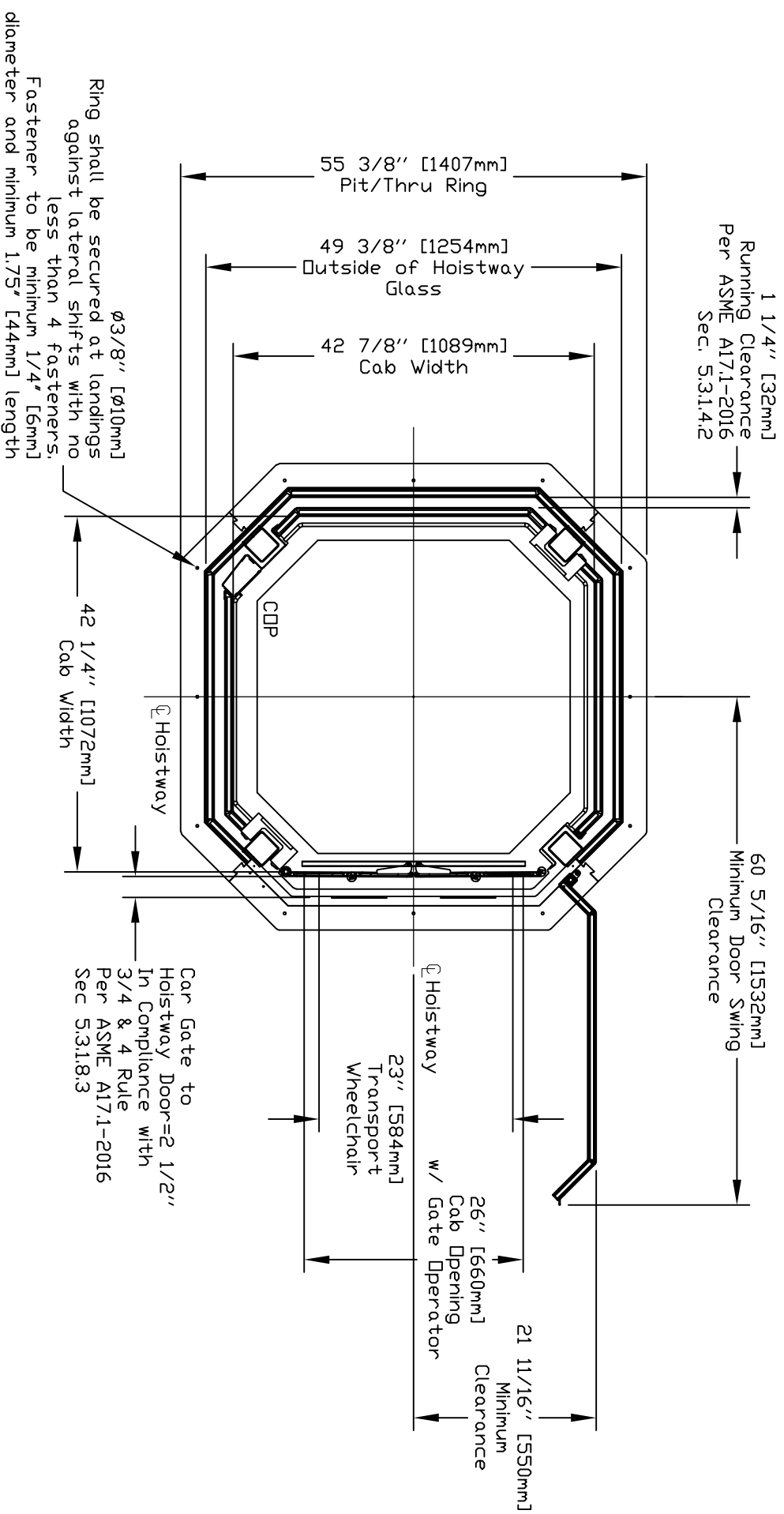
BASE RING PLAN VIEW

Disregard and remove page if Base Mount Configuration is not used or applicable

BASE MOUNT DETAILS

CUSTOMER:		OFFICE USE ONLY:	
PROJECT:	ADDRESS:	CONFIGURATION VERSION STAMP:	1.5
		MODULE VERSION STAMP:	VE.112
DATE:	REVISION DATE:	Part No.	Octagonal Glass
COMPLETED BY:		Variant No.	
		SHEET No.	26 OF 9
		JOB No.	

no heated floor 4' [102mm] around any landing and inside the pit or footprint



Disregard and remove page if Thru Floor Configuration is not used or applicable

FLOOR 2 - THRU FLOOR VIEW TYP.

OFFICE USE ONLY:
 CONFIGURATION VERSION STAMP: 1.5
 MODULE VERSION STAMP: VIE.112

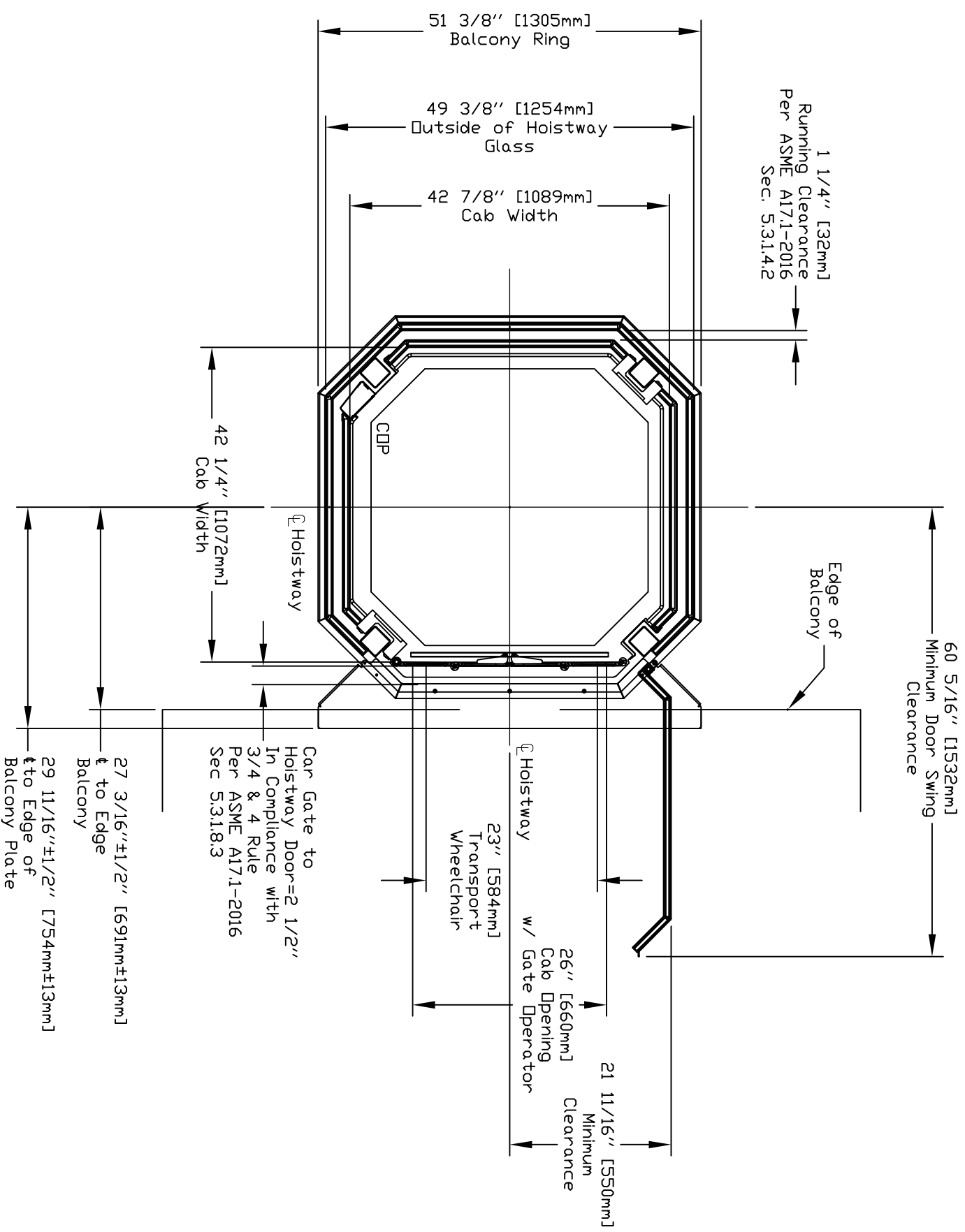
Part No. Octagonal Glass
 Variant No.



CUSTOMER:
 PROJECT:
 ADDRESS:
 DATE:
 REVISION DATE:
 COMPLETED BY:

JOB No.
 SHEET No. 3 OF 9

no heated floor 4' [102mm] around any landing and inside the pit or footprint



FLOOR 3 - BALCONY VIEW TP,

OFFICE USE ONLY:
 CONFIGURATION VERSION STAMP: 1.5
 MODULE VERSION STAMP: VIE_112

Part No. Octagonal Glass
 Variant No.

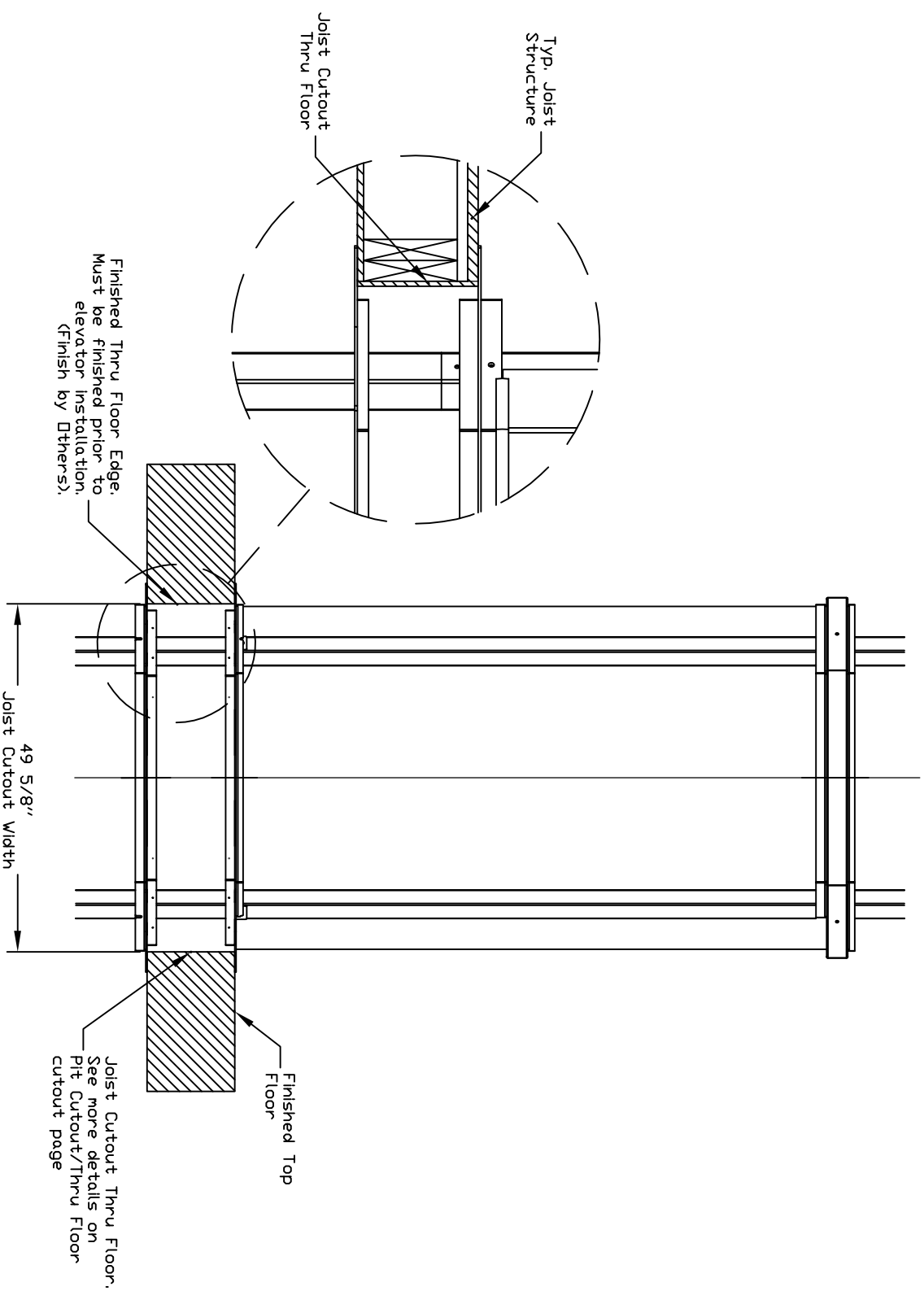


Disregard and remove page if Balcony Configuration is not used or applicable

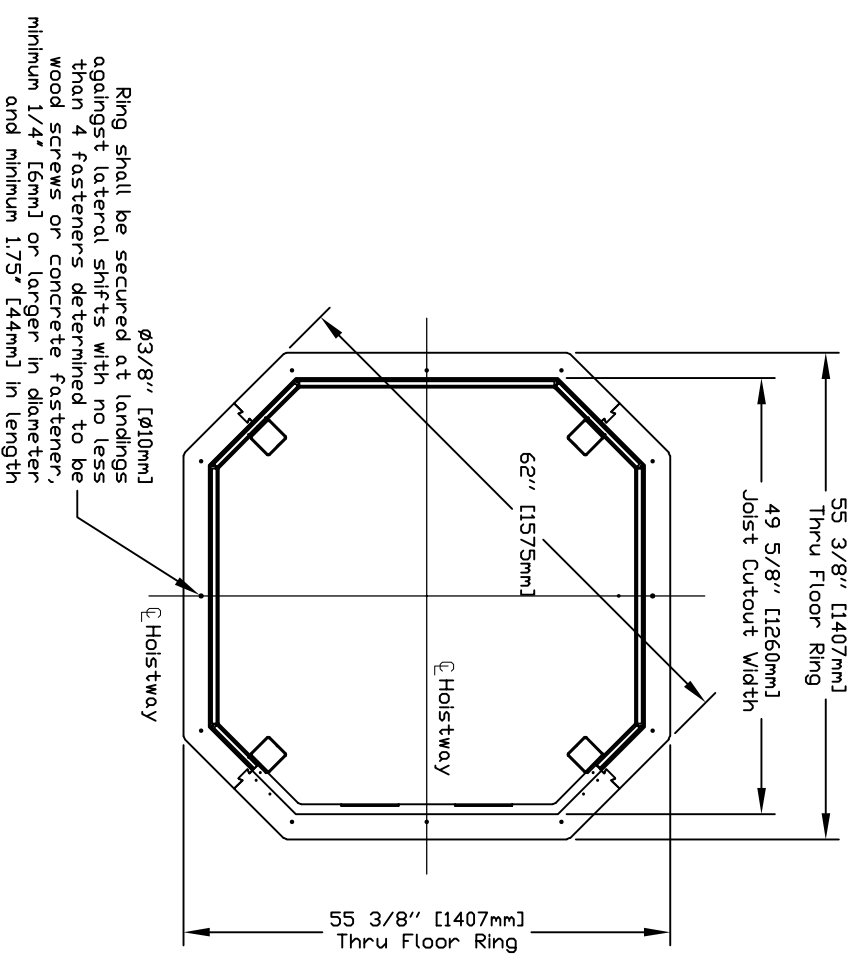
CUSTOMER:
 PROJECT:
 ADDRESS:

DATE:
 REVISION DATE:
 COMPLETED BY:
 JOB No. SHEET No. 4 OF 9

THRU FLOOR CONFIGURATION



THRU FLOOR PLAN VIEW

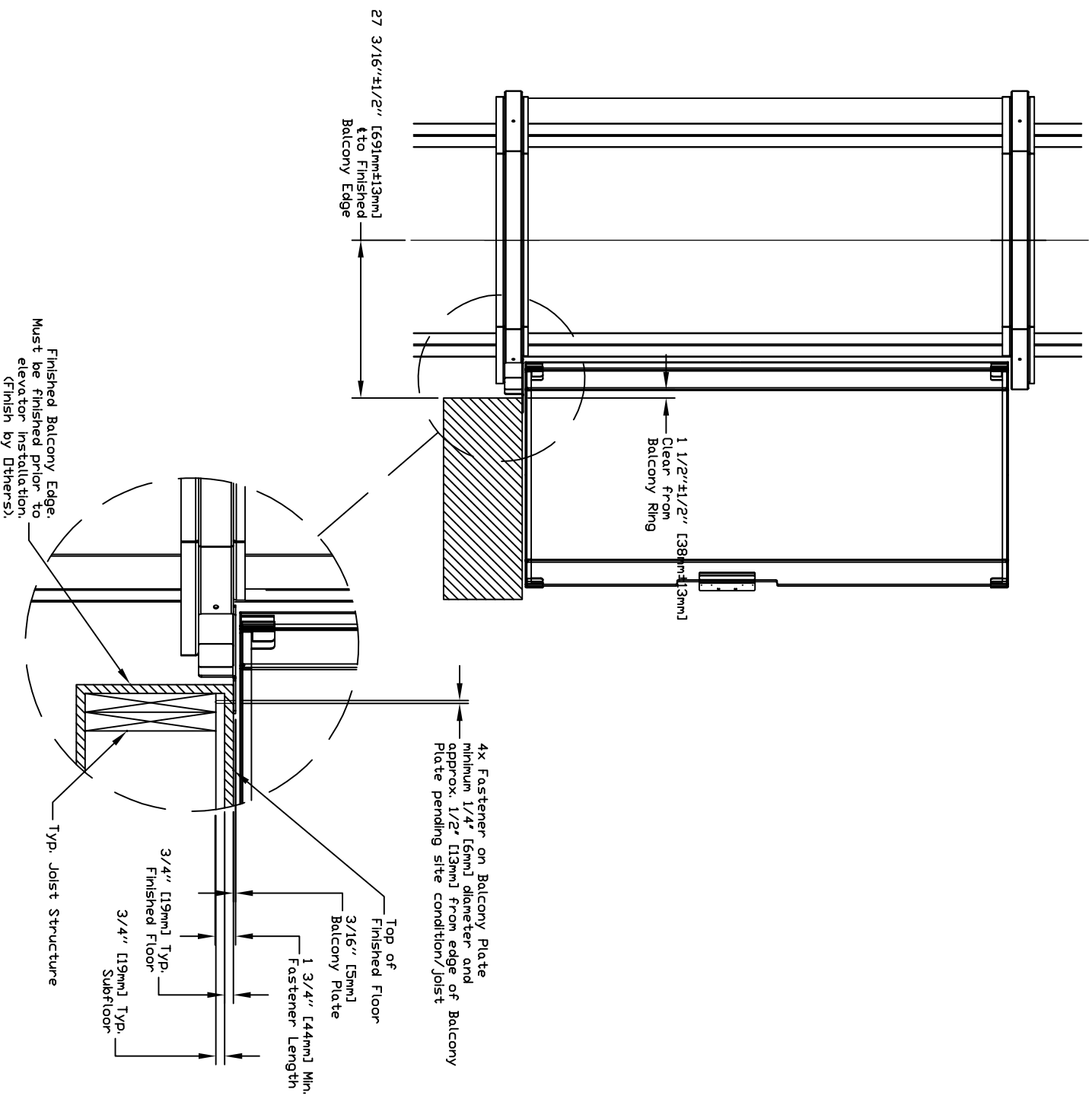


Disregard and remove page if Thru Floor Configuration is not used or applicable

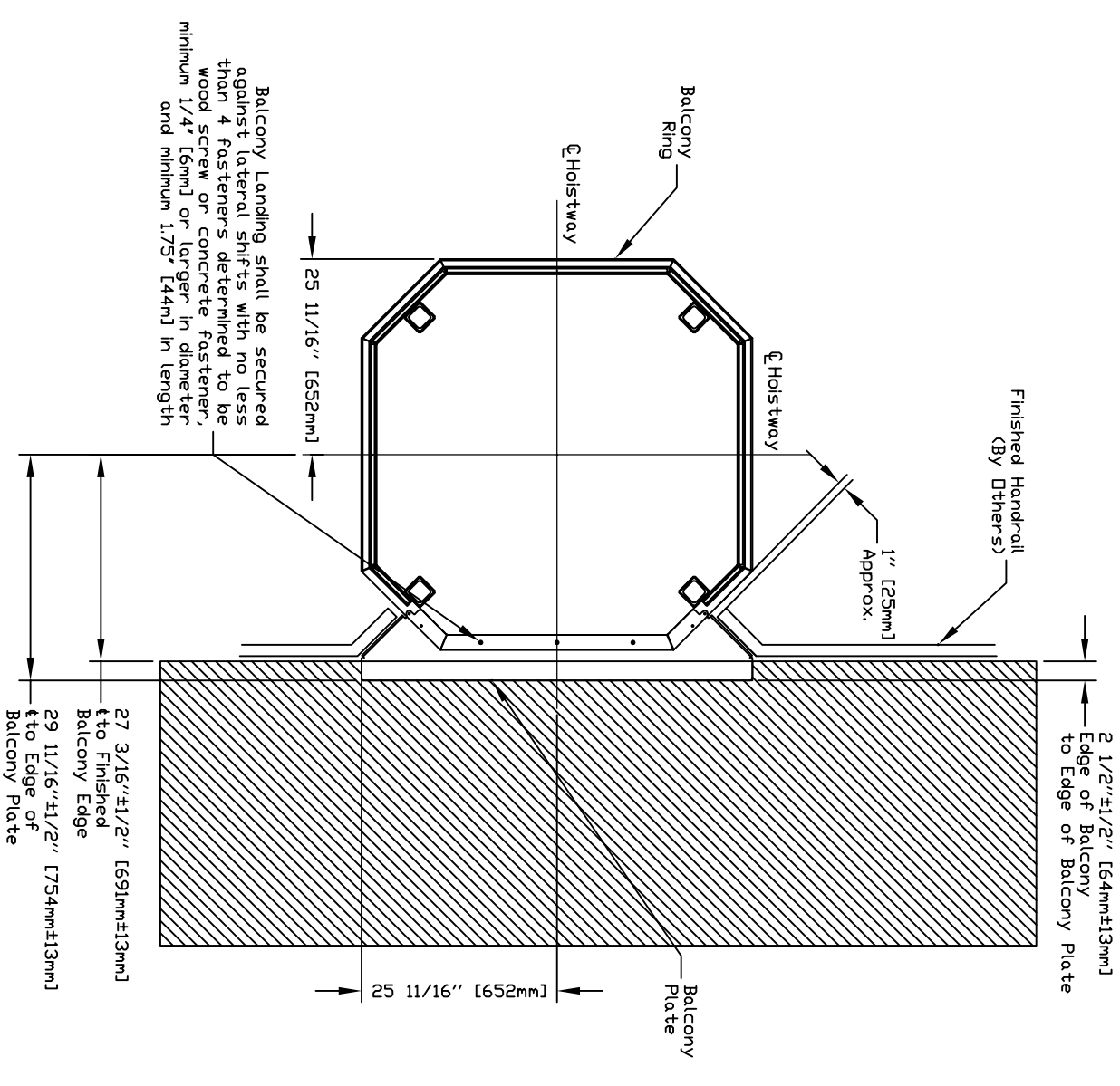
THRU FLOOR DETAILS

CUSTOMER:		OFFICE USE ONLY:	
PROJECT:	ADDRESS:	CONFIGURATION VERSION STAMP:	1.5
		MODULE VERSION STAMP:	VE.112
DATE:	REVISION DATE:	Part No.	Octagonal Glass
COMPLETED BY:		Version No.	
JOB No.	SHEET No.		
	5 OF 9		

ELEVATION VIEW - BALCONY ATTACHMENT



TOP VIEW BALCONY DETAIL



Disregard and remove page if Balcony Configuration is not used or applicable

BALCONY FLOOR DETAILS

OFFICE USE ONLY:	Part No.	Octagonal Glass
CONFIGURATION VERSION STAMP:	Version No.	
MODULE VERSION STAMP:		

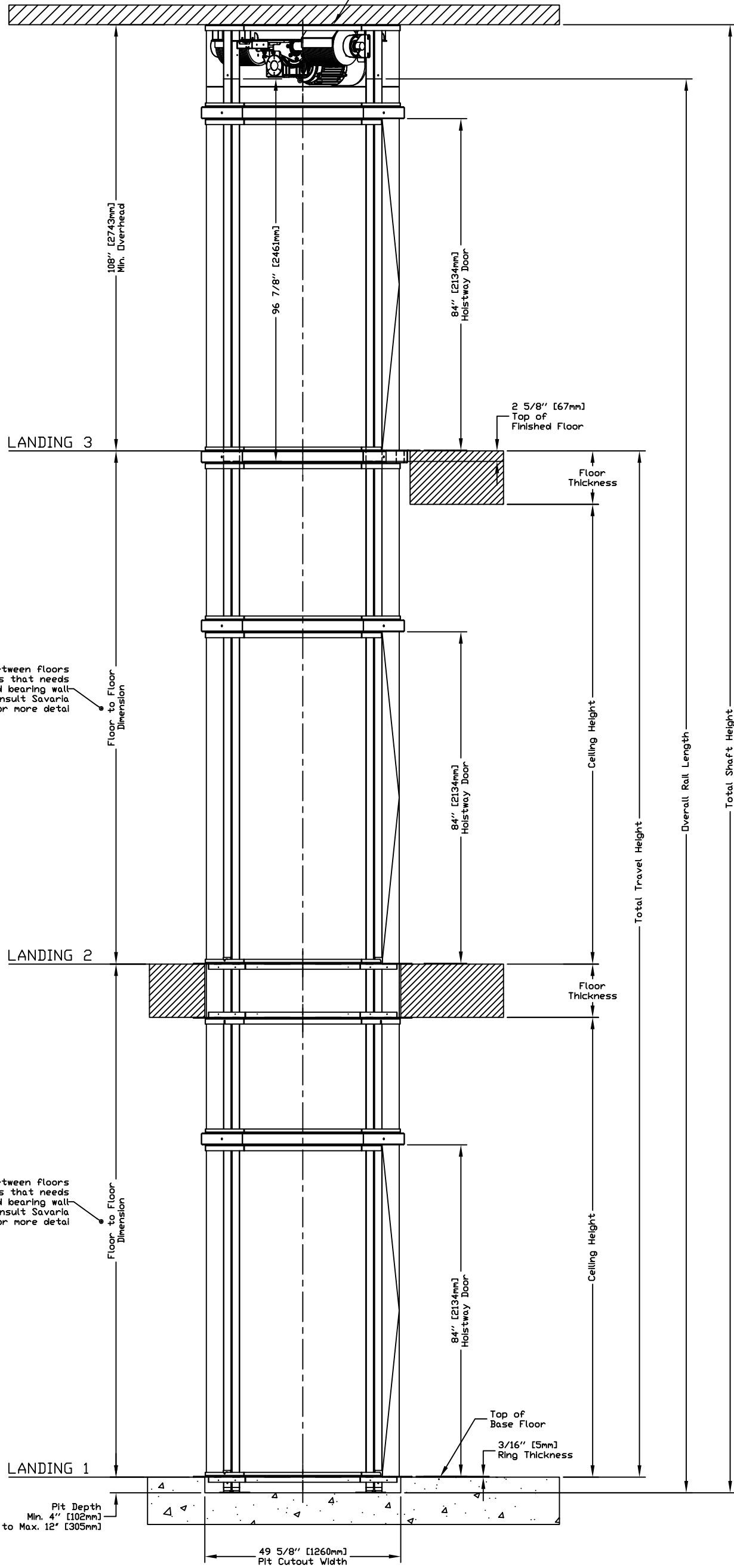
CUSTOMER:	DATE:	
PROJECT:	REVISION DATE:	
ADDRESS:	COMPLETED BY:	
	JOB No.	
	SHEET No.	6 OF 9



For overhead of std. 108", it is recommended that installers use ceiling mounting brackets to help with stabilizing the head frame.
 For overhead that is greater than 108", it is required that installers use ceiling mounting brackets to help with stabilizing the head frame.

Warning: for travel between floors above 168', extra rings that needs to be supported by load bearing wall will be required. Please consult Savaria RSM for more detail

Warning: for travel between floors above 168', extra rings that needs to be supported by load bearing wall will be required. Please consult Savaria RSM for more detail



OFFICE USE ONLY:	
CONFIGURATION VERSION STAMP:	1.5
MODULE VERSION STAMP:	VUE 1.1.2

Part No.	Octagonal Glass
Variant No.	

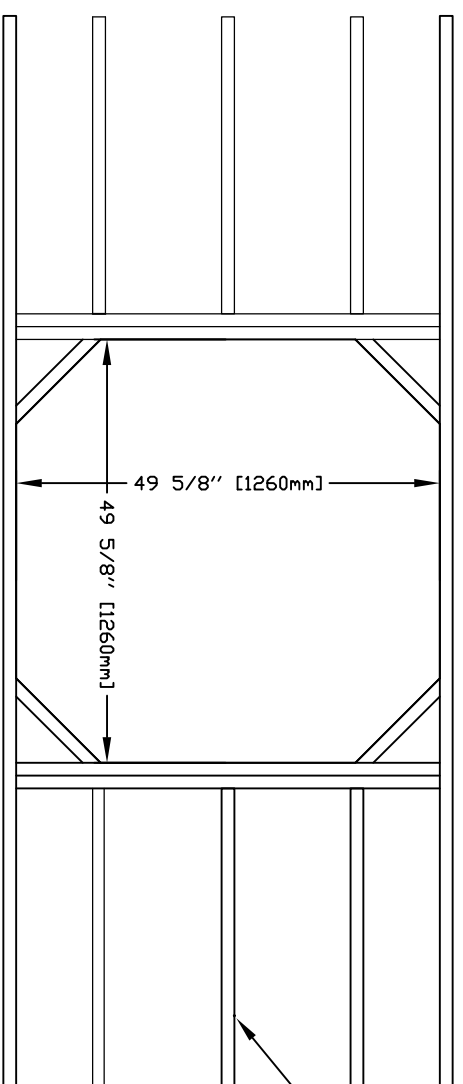
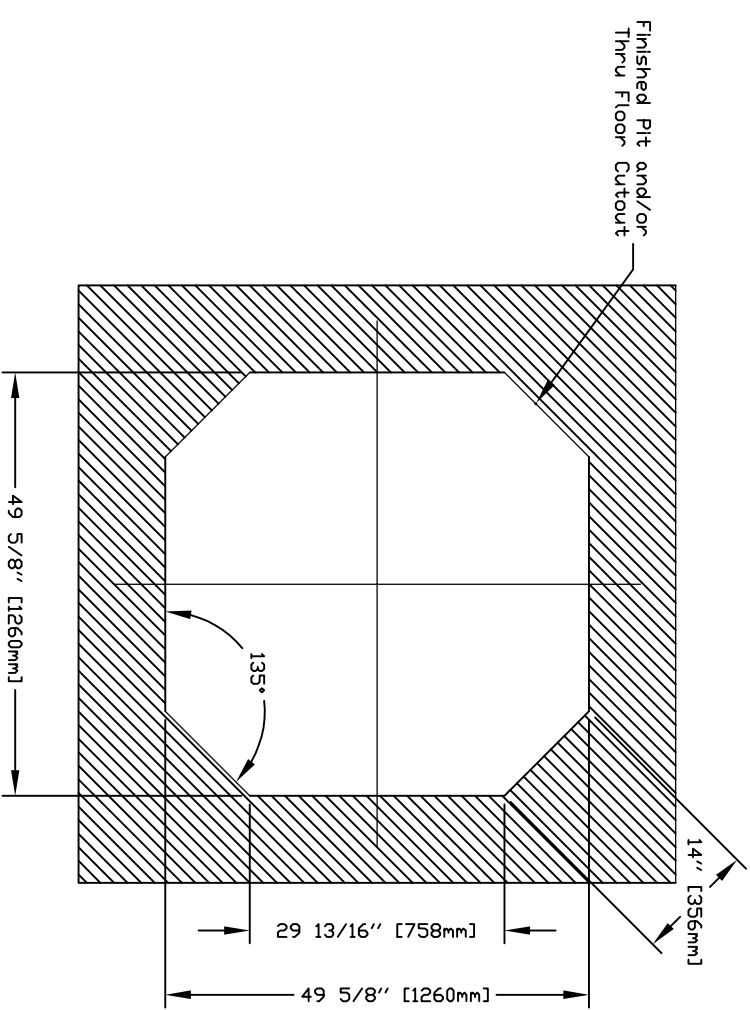
CUSTOMER:	DATE:
PROJECT:	REVISION DATE:
ADDRESS:	COMPLETED BY:

savaria.

JOB No. SHEET No. 7 OF 9

ELEVATION VIEW B-B

PLAN VIEW PIT CUTOUT/THRU FLOOR CUTOUT



Typ. Floor Framing
By Others.
Structural Design
By Others.

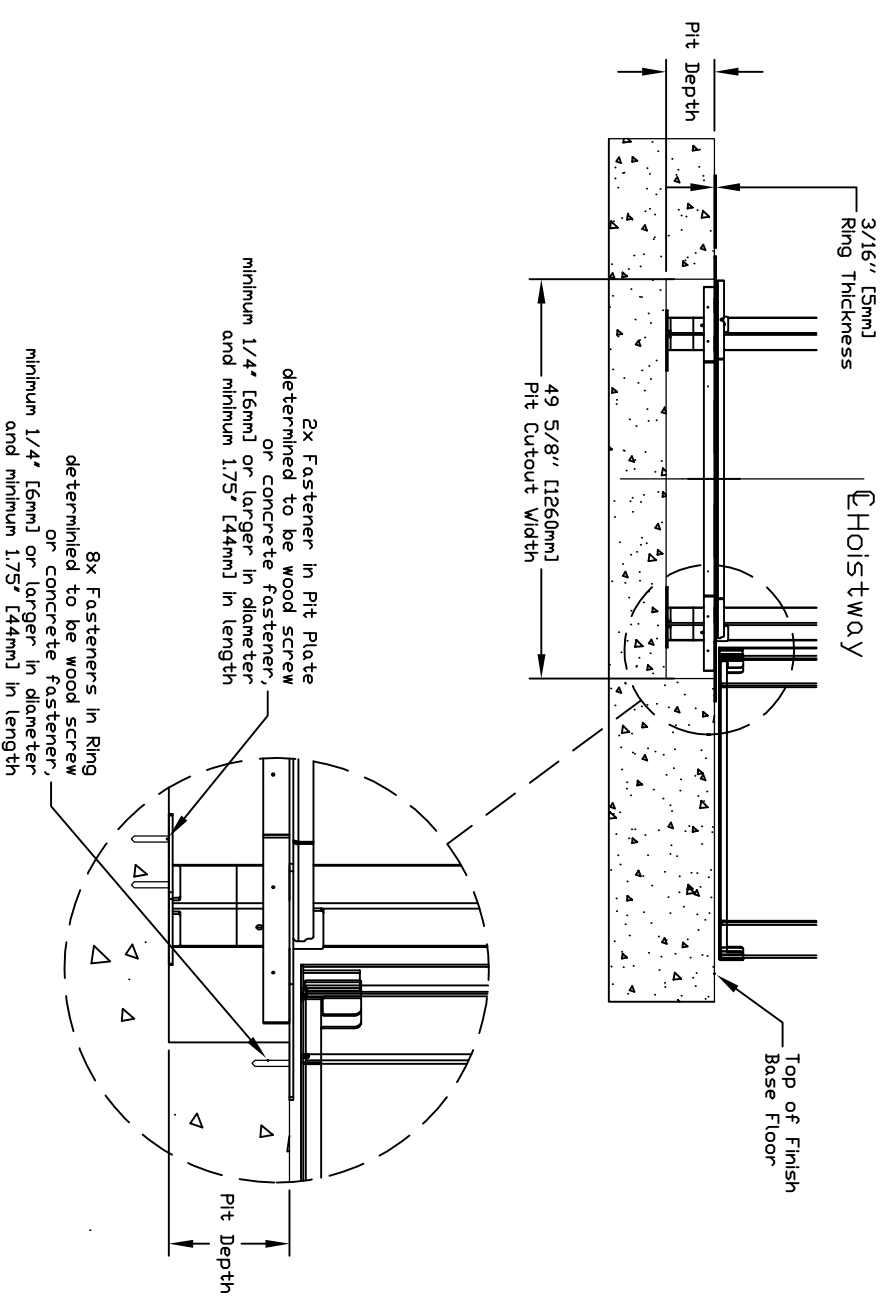
NOTE:
PIT OPTION ROUGH IN AND FINISHED DIMS ARE IDENTICAL TO THRU-FLOOR ROUGH IN AND FINISHED DIMS.

WHEN THERE IS TWO OR MORE WALLS SURROUNDING THE UNIT 18" OF ADDITIONAL CLEAR SPACE IS REQUIRED ON ONE OR MORE SIDES.

WHEN THE UNIT IS UP AGAINST ONE WALL 4" OF CLEAR SPACE IS REQUIRED BETWEEN WALL AND ELEVATOR.

Disregard and remove page if Pit/Thru Floor Configuration is not used or applicable

PIT CUTOUT DETAIL



PIT CUTOUT AND THRU FLOOR CUTOUT

OFFICE USE ONLY:	Part No.	Octagonal Glass
CONFIGURATION VERSION STAMP: 1.5	Variant No.	
MODULE VERSION STAMP: VIE.112		

CUSTOMER:

PROJECT:

ADDRESS:

DATE:

REVISION DATE:

COMPLETED BY:



JOB No.

SHEET No. 8 OF 9

PROVISIONS BY OTHERS

***GENERAL**
 CONSTRUCTION SITE. OWNER/AGENT TO PROVIDE ALL MASONRY, CARPENTRY AND DRYWALL WORK AS REQUIRED. FLOORS SHALL BE IN FINISHED STATE PRIOR TO INSTALLATION OF UNIT.

DIMENSIONS: CONTRACTOR/CUSTOMER TO VERIFY ALL CLEARANCE DIMENSIONS PRIOR TO UNIT DELIVERY.

***STRUCTURAL**

FLOOR LOADS: STRUCTURAL ENGINEER TO ASSURE THAT BUILDING WILL SAFELY SUPPORT LOADS IMPOSED BY THE LIFT EQUIPMENT. REFER TO TABLES ON THIS DRAWING FOR PIT/FLOOR LOADS IMPOSED BY THE EQUIPMENT.

***ELECTRICAL**

POWER SUPPLY: (SEE SPECIFICATIONS BELOW) LOCKABLE FUSED DISCONNECTS INSTALLED IN COMPLIANCE WITH ELECTRICAL CODE TO BE PROVIDED PRIOR TO INSTALLATION. ROUGHED IN POWER TO LIFT UNIT MUST BE PROVIDED TO CONTROLLER LOCATION PRIOR TO INSTALLATION.

ELECTRICAL GFCI OUTLET IN HOISTWAY PIT IF REQUIRED.

PERMANENT POWER: BEFORE INSTALLATION CAN BEGIN, PERMANENT POWER MUST BE SUPPLIED.

HANDRAILS: ALL BALCONY LEVELS REQUIRE HANDRAILS TO BE INSTALLED PER LOCAL CODES AFTER INSTALLATION IS COMPLETED. HANDRAIL AND INSTALLATION TO BE PROVIDED BY CONTRACTOR/CUSTOMER. SAVARIA AND/OR LOCAL INSTALLER ARE NOT RESPONSIBLE FOR HANDRAIL INSTALLATION OR MATERIALS.

POWER SUPPLY SPECIFICATIONS	DISCONNECT SIZE	TIME DELAY FUSE SIZE	VOLTS	PHASE	AMPERAGE
MOTOR & EQUIP.	30 AMPS	30 AMPS	230	SINGLE	20.2 AMPS
CAB LIGHTS	15 AMPS	15 AMPS	115	SINGLE	-
PIT LIGHTS (IF REQUIRED)	15 AMPS	15 AMPS	115	SINGLE	-

TELEPHONE CIRCUIT SHALL BE BROUGHT TO A LOCATION NEXT TO THE CONTROLLER AND BE AVAILABLE TO CONNECT AND TEST UPON ELEVATOR INSTALLATION.

OPTIONS :

1. SAVARIA LINK WITH ANTENNA: ENSURE THAT YOU HAVE A WIRELESS SIGNAL WITH INTERNET CAPABILITY IN THE VICINITY OF UNIT'S CONTROLLER
2. SAVARIA LINK WITH ETHERNET: ENSURE THAT YOU HAVE AN ETHERNET CONNECTION WITH INTERNET CAPABILITY IN THE VICINITY OF UNIT'S CONTROLLER
3. NO SAVARIA LINK: NO SPECIAL REQUIREMENT

GENERAL

CLASSIFICATION: Residential Building
 APPLIED CODE: ASME 17.1-2013 SEC. 5.3
 WALLS: Glass Cab
 NUMBER OF FLOORS: 6 Max.
 MODEL: Octagonal Glass
 CAPACITY: 950lbs [431kg]
 NOMINAL SPEED: 40 fpm UP AND DOWN
 TOTAL TRAVEL: 44x42', 12ft+2, 11x1.0m, 1.2m2
 CAB FLOOR AREA: 84" [213 m]
 CAB INT HEIGHT: 1050 lb [476 kg]
 CAB WEIGHT: 60 Hz Single Phase 240 volt (60Hz)
 PIT DEPTH (OPTION): Automatic Dp. Bi-Folds)
 POWER SUPPLY: 2 Type A Instantaneous Safeties in compliance with ASME A17.1 Sections 2.17.8.1 & 1.17.5.1
 SAFETIES: Mfg: Savaria P/N: VL481001-01

SUSPENSION:

TYPE: Galvanized Aircraft Cable 2x3/8" dia
 CONSTRUCTION: 1WRC 7 x 19 RHRL
 NOMINAL STRENGTH: 14,400 lbs
 WT. OF ROPES: 0.243 lbs/ft
 TRAVEL CABLE WT: 0.228 lbs/ft
 DRIVE TRAIN:
 TYPE: Winding Drum
 MOTOR: 5 HP [3.5kW]
 TRANSMISSION: Ultra-Low Vibration 3-Stage Right Angle Helical-Bevel Drive
 MOTOR CONTROL: Pre-Programmed Variable Freq. Drive
 DOOR INTERLOCKS: Xtronics E10983-1901 certified in compliance with ASME A17.1 Sections 2.12.4.3
 PIT/FLOOR LOAD: (ft of Hoistway*104) + (# of Floors*365) + 2671 Dead Load (lbs)

Based on this configuration:

LOWER FLOOR DEAD LOAD:
 LOWER FLOOR IMPACT LOAD: 8350 lbs [3787 kg]
 MID FLOOR MAX. LATERAL LOAD: 250 lbs [113 kg]

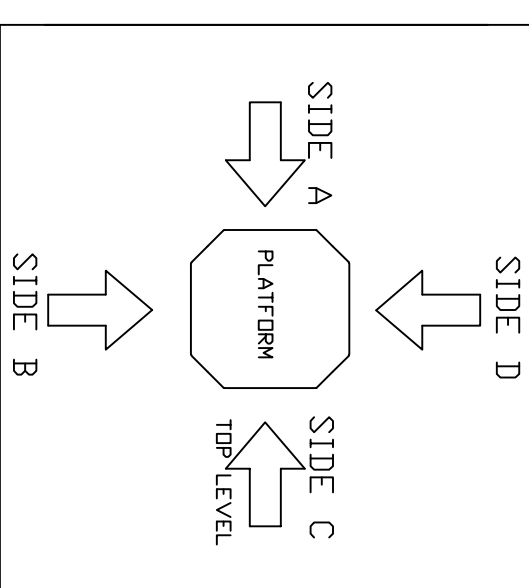
* SEE ELEVATION VIEW FOR ADDITIONAL HEADER RING TO SUPPORT EXTRA LONG FLOOR TO FLOOR OPTIONS:

BUCK BOOSTER: Required if input power supply is not 240 volt AC
 BUFFER SPRING: If applicable for habitable space below, Min. pit 4'
 CAR TOP INSPECTION:
 COLOR:
 CONDUCTOR CABLE: Distance between Head Frame and Control Room
 CONTROLLER LOCATION: Internal or External to hoistway
 HEADER RING FINISH: Clear Glass (Standard)
 FACTORY CUT GLASS/ACRYLIC: Cut on site or Factory cut
 FLOOD SWITCH:
 LANDING DOOR CLOSER: Manual or Hydraulics Landing Doors
 LANDING DOOR HANDLE: Stainless Steel (Standard)

FIRST DOOR BY LANDING CHART

DOOR TYPE	LANDING 1	LANDING 2	LANDING 3
ENTRANCE SIDE	Swing	Swing	Swing
DOOR SWING	Side C	Side C	Side C
LOCK TYPE	LH or RH Swing	LH or RH Swing	LH or RH Swing
HALL CALL KEY SWITCH	X Lock	X Lock	X Lock
FLOOR MARKING	ND	ND	ND
LANDING CONFIGURATION	Pit or Ramp	Thru-Floor shown	Balcony Shown

ENTRANCE SIDE LEGEND



DATA SHEET

OFFICE USE ONLY:
 CONFIGURATION VERSION STAMP: 1.5
 MODULE VERSION STAMP: VIE 112

Part No. Octagonal Glass
 Variant No.

CUSTOMER:
 PROJECT:
 ADDRESS:
 DATE:
 REVISION DATE:
 COMPLETED BY:



JOB No. SHEET No. 9 OF 9