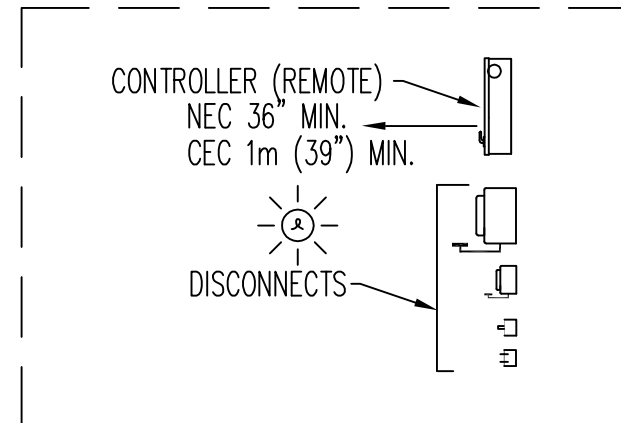
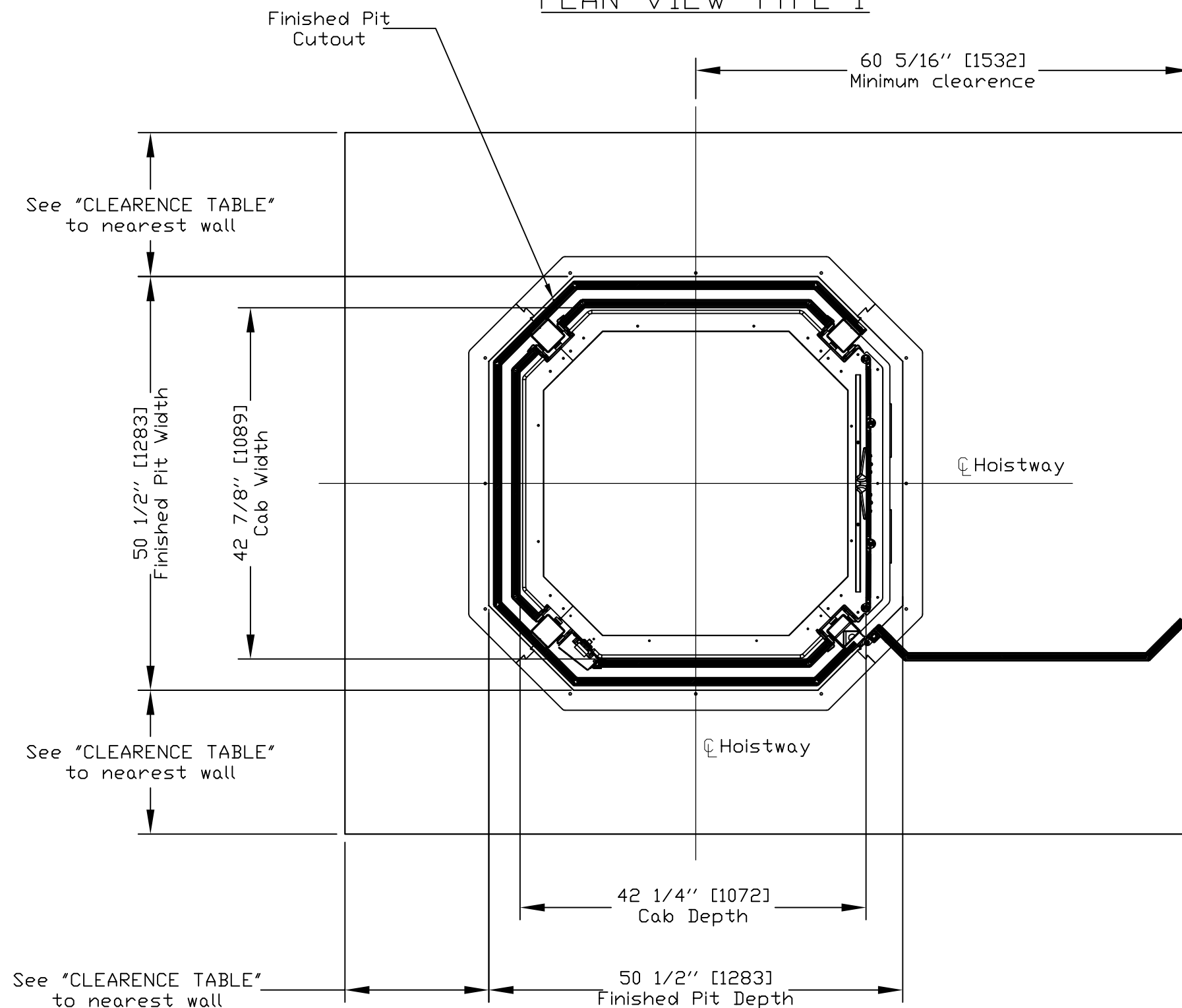


CLEARENCE TABLE		
1 - WALL	2 - WALL	3 - WALL
4"	18" TO BOTH WALL	18" TO ALL 3 WALL

PLAN VIEW-TYPE 1



DISCONNECTS AND CONTROLLER (REMOTE)

PRELIMINARY DRAWING ONLY
DRAWING APPROVAL:

THIS DRAWING REFLECTS OUR INTERPRETATION OF THE INFORMATION PROVIDED BY THE DEALER ON THE ORDER FORM. THIS INFORMATION IS THE DEALER'S RESPONSIBILITY, AND IS THE BASIS FROM WHICH THIS LIFT IS DESIGNED AND MANUFACTURED. PLEASE INDICATE THE REQUESTED ACTION BY CHECKING ONE OF THE FOLLOWING BOXES AND SIGNING BELOW TO AUTHORIZE COMPLETION OF THIS ORDER.

- APPROVED WITH NO EXCEPTIONS
MANUFACTURE PRODUCT AS PER DRAWING
- APPROVED WITH EXCEPTIONS, NO REAPPROVAL
REQUIRED
MAKE CHANGES AS NOTED, NO REAPPROVAL DRAWING REQUIRED
- CHANGE AS NOTED, REAPPROVAL REQUIRED
MAKE CHANGES AS NOTED, SEND CORRECTED DRAWING FOR
REAPPROVAL BEFORE MANUFACTURE

SIGNATURE: _____ DATE: _____

CHANGES REQUEST:

1. _____
2. _____
3. _____
4. _____

CAUTION: ONCE THE DRAWING IS APPROVED, JOB CANCELLATION FEES WILL APPLY

OFFICE USE ONLY:	
CONFIGURATION VERSION STAMP:	1.5
MODULE VERSION STAMP:	E-S-73.11

Part No.	VUE LIFT
Variant No.	P-000000

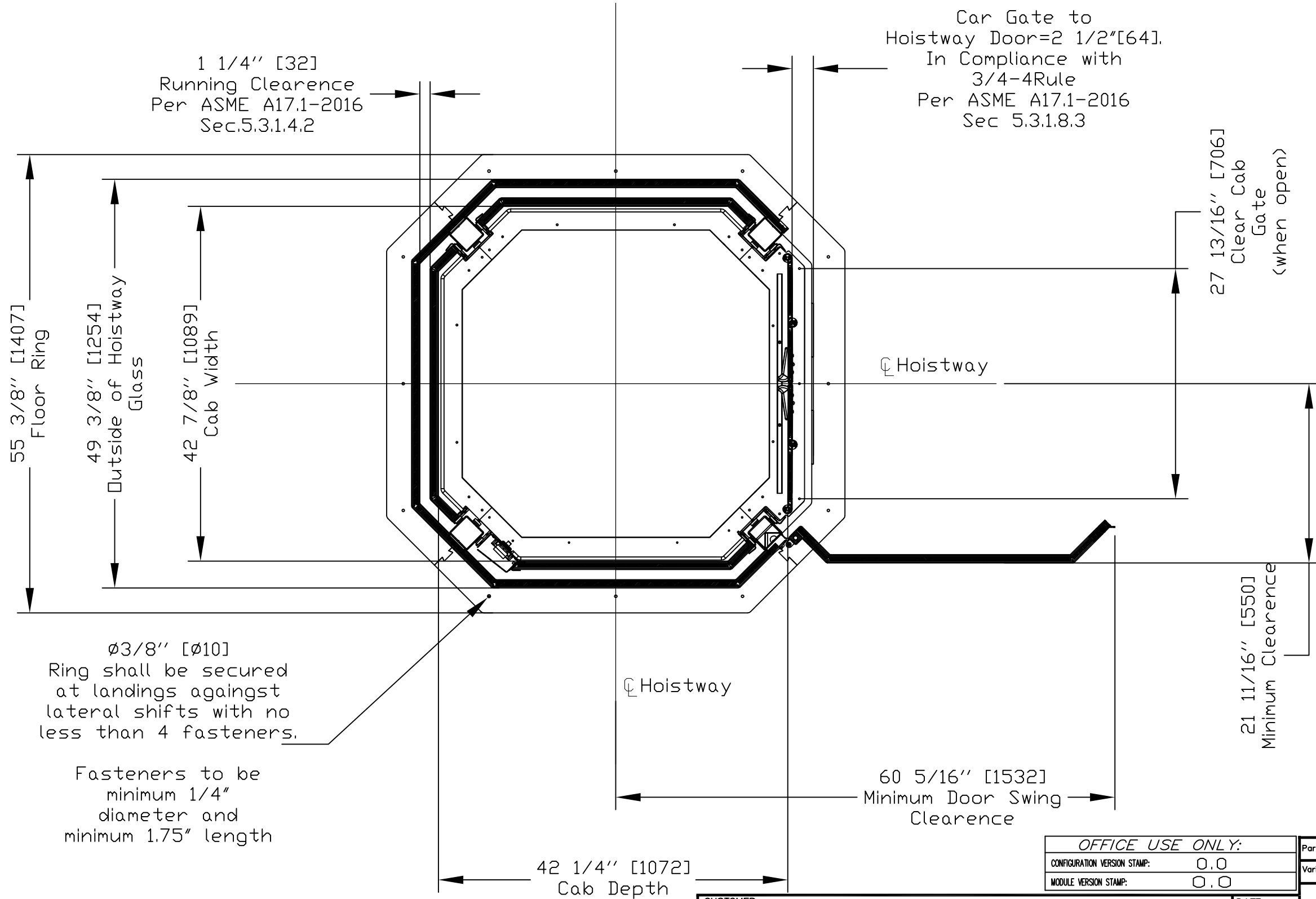
CUSTOMER:	DATE:	01/05/2018
PROJECT:	REVISION DATE:	02/12/2018
ADDRESS:	COMPLETED BY:	SC
STREET	NAME	A
PO BOX	EXT	



JOB No.	DGM-TYPE 1	SHEET No.	11 OF 6
---------	------------	-----------	---------

PLAN VIEW

PIT/BOTTOM FLOOR/THRU
FLOOR VIEW



Car Gate to
Hoistway Door=2 1/2"[64].
In Compliance with
3/4-4Rule
Per ASME A17.1-2016
Sec 5.3.1.8.3

ø3/8" [10]
Ring shall be secured
at landings against
lateral shifts with no
less than 4 fasteners.

Fasteners to be
minimum 1/4"
diameter and
minimum 1.75" length

<i>OFFICE USE ONLY:</i>	
CONFIGURATION VERSION STAMP:	0.0
MODULE VERSION STAMP:	0.0

Part No.	VUELIFT
Variant No.	P-000000

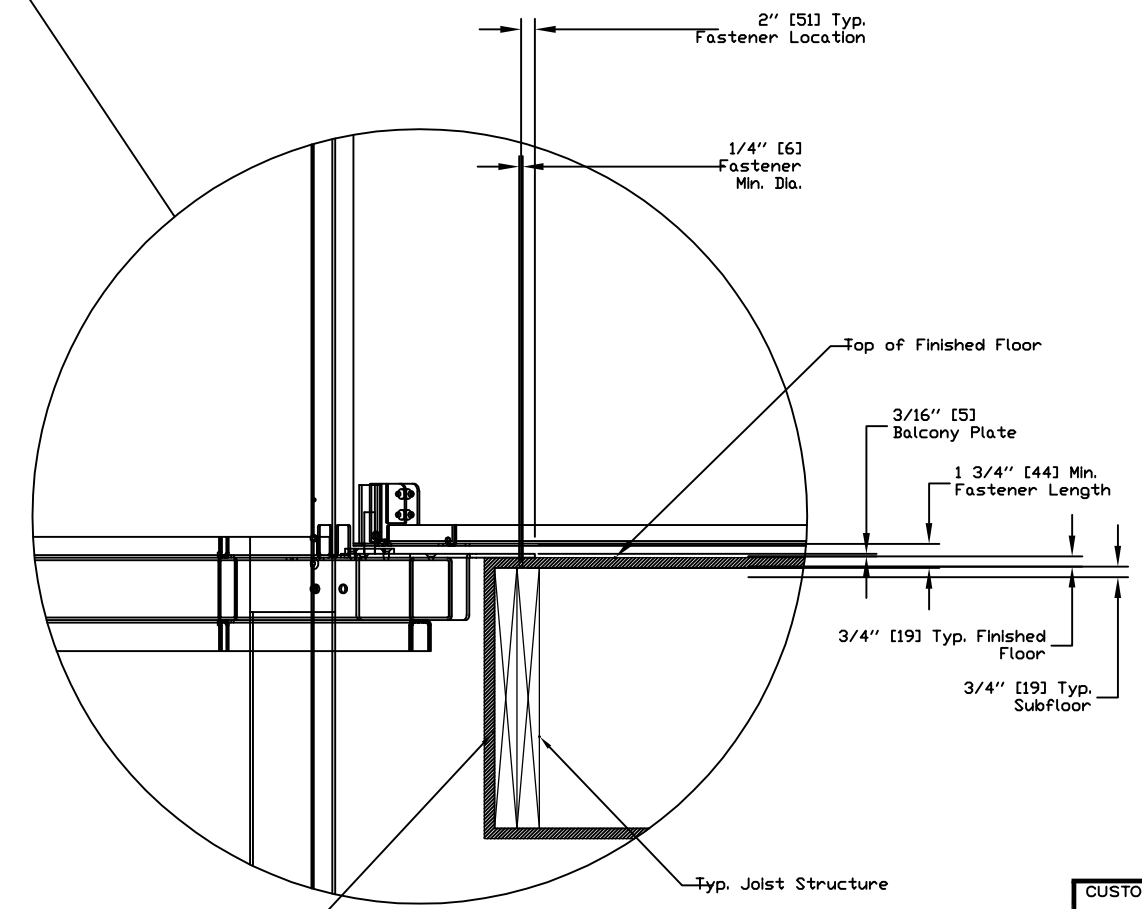
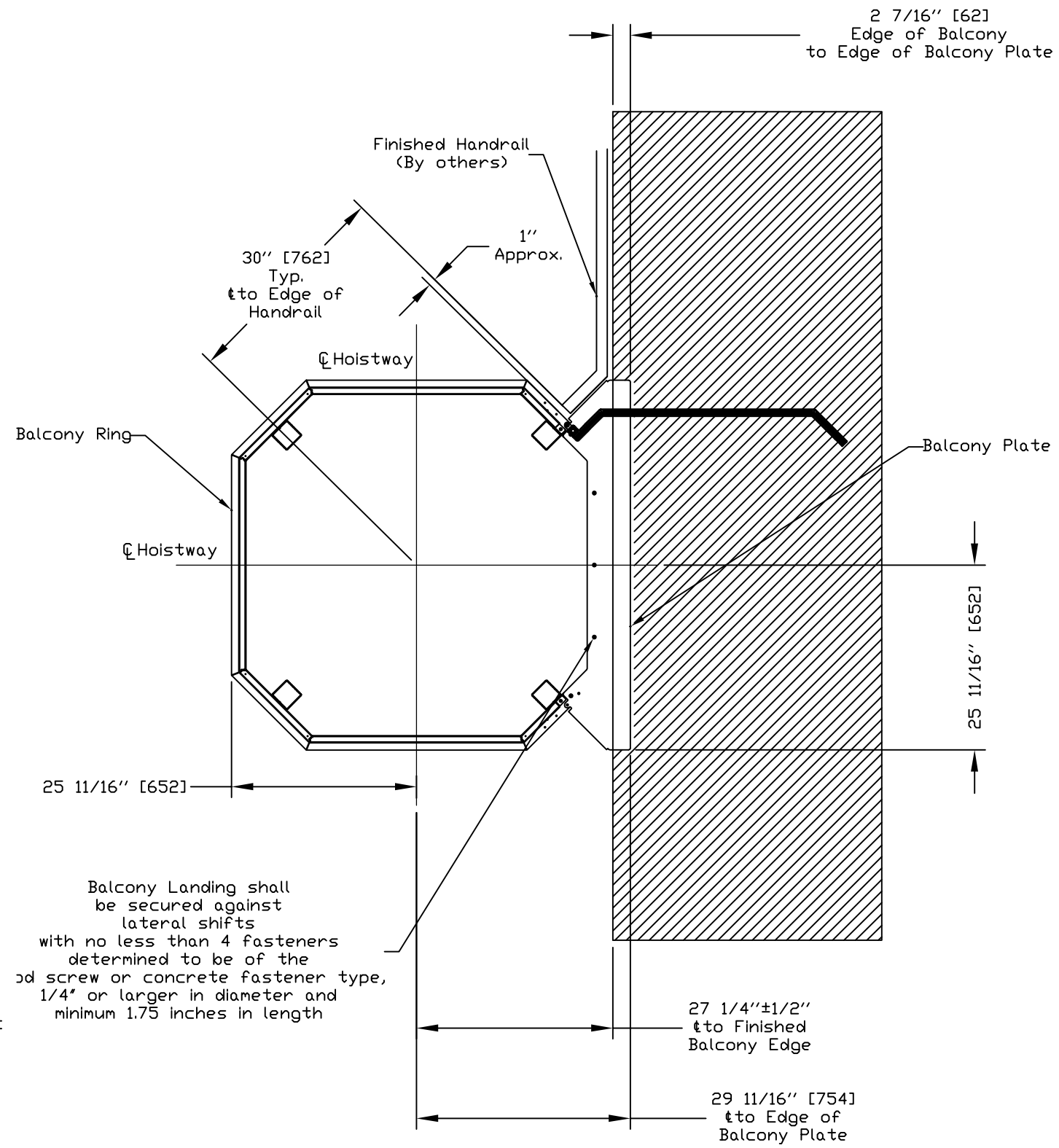
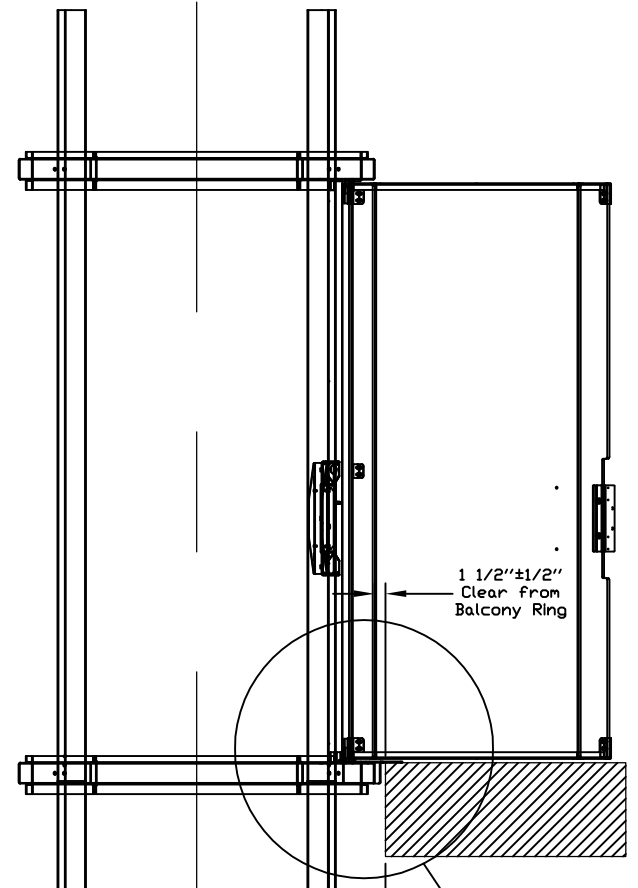
FLOOR VIEW

CUSTOMER:		DATE:	01/05/2018
PROJECT:		REVISION DATE:	02/12/2018
ADDRESS:	STREET NAME	COMPLETED BY:	SC
	PO BOX		A



ELEVATION VIEW-BALCONY ATTACHMENT DETAIL

TOP VIEW BALCONY DETAIL



Balcony Landing shall be secured against lateral shifts with no less than 4 fasteners determined to be of the rod screw or concrete fastener type, 1/4" or larger in diameter and minimum 1.75 inches in length

Finished Balcony Edge.
Must be finished prior to elevator installation. (Finish by others).

Elev : BALCONY DETAILS

OFFICE USE ONLY:	
CONFIGURATION VERSION STAMP:	0.0
MODULE VERSION STAMP:	0.0

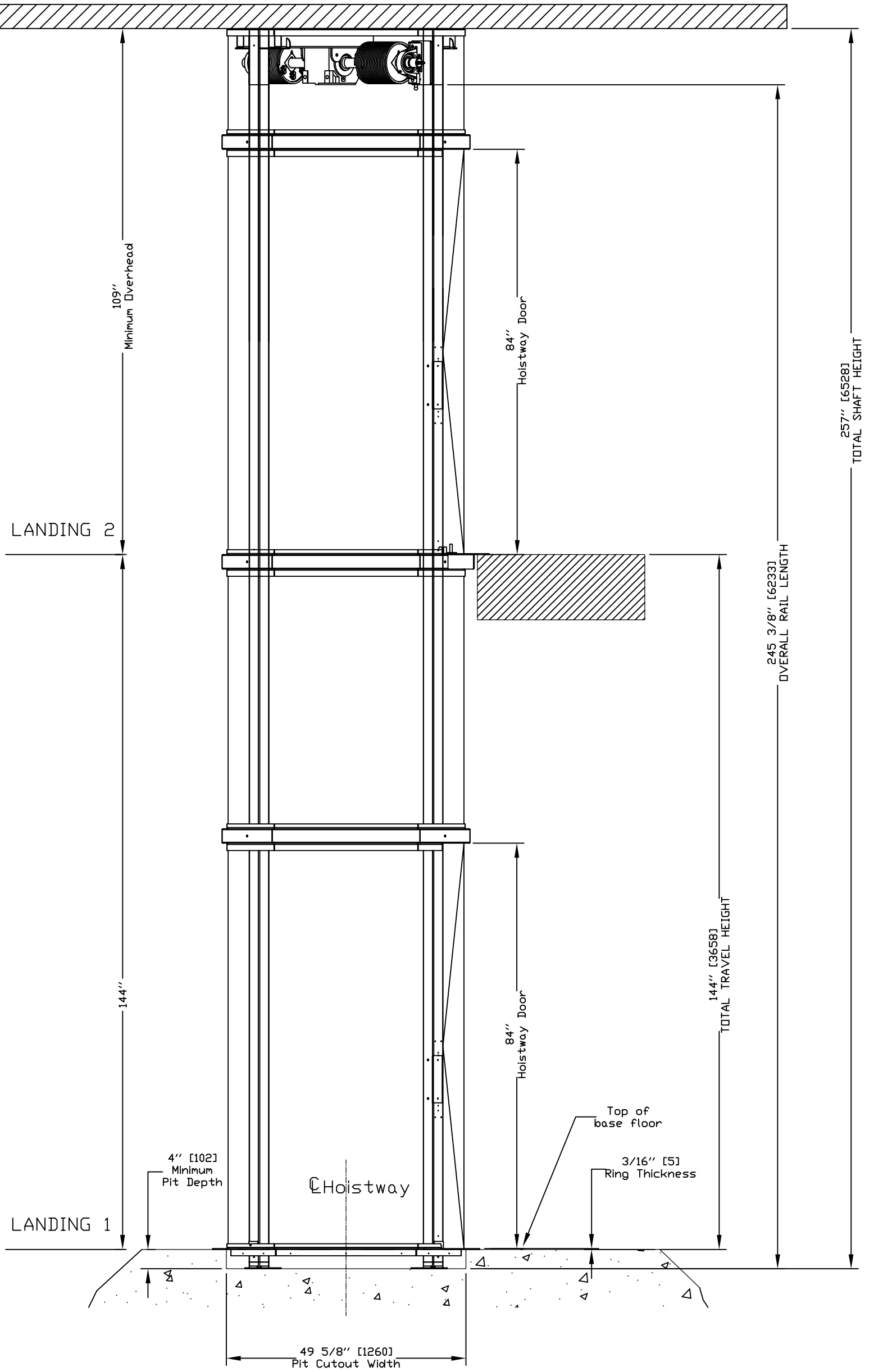
Part No.	VUELIFT
Variant No.	P-000000

CUSTOMER:	DATE:	01/5/2018
PROJECT:	REVISION DATE:	02/12/2018
ADDRESS:	COMPLETED BY:	SC
STREET NAME	JOB No.	DGM-TYPE 1
PO BOX	SHEET No.	13 OF 6



PLEASE NOTE:

NOTE: Unit does not attach to ceiling.
Lateral or vertical support is not required. Drive machine is supported through steel structure.



ELEVATION VIEW

OFFICE USE ONLY:	
CONFIGURATION VERSION STAMP:	1.5
MODULE VERSION STAMP:	E-S-7.3.11

Part No.	VUE LIFT
Variant No.	P-000000

CUSTOMER:	DATE:
PROJECT:	01/05/2018
ADDRESS:	REVISION DATE:
STREET NAME	02/12/2018
PO BOX	COMPLETED BY:
	SC
	JOB No.
	DGM-TYPE 1

savaria™

JOB No. DGM-TYPE 1 SHEET No. 14 OF 6

PROVISIONS BY OTHERS

*GENERAL

CONSTRUCTION SITE: OWNER/AGENT TO PROVIDE ALL MASONRY, CARPENTRY AND DRYWALL WORK AS REQUIRED. FLOORS SHALL BE IN FINISHED STATE PRIOR TO INSTALLATION OF UNIT.

DIMENSIONS: CONTRACTOR/CUSTOMER TO VERIFY ALL CLEARANCE DIMENSIONS PRIOR TO UNIT DELIVERY.

*STRUCTURAL

FLOOR LOADS: STRUCTURAL ENGINEER TO ASSURE THAT BUILDING WILL SAFELY SUPPORT ALL LOADS IMPOSED BY THE LIFT EQUIPMENT. REFER TO TABLES ON THIS DRAWING FOR PIT/FLOOR LOADS IMPOSED BY THE EQUIPMENT.

NOTE: PER ASME A17.1-2016 THE CLEARANCE BETWEEN THE HOISTWAY DOORS OR GATES AND THE HOISTWAY EDGE OF THE LANDING SILL SHALL NOT EXCEED 3IN. THE DISTANCE BETWEEN THE HOISTWAY FACE OF THE LANDING DOOR OR GATE AND THE CAR DOOR OR GAE SHALL NOT EXCEED 5IN.

*ELECTRICALL

POWER SUPPLY: (SEE SPECIFICATIONS BELOW) LOCKABLE FUSED DISCONNECTS INSTALLED IN COMPLIANCE WITH ELECTRICAL CODE TO BE PROVIDED PRIOR TO INSTALLATION. ROUGHED IN POWER TO LIFT UNIT MUST BE PROVIDED TO HEAD ASSEMBLY LOCATION PRIOR TO INSTALLATION.

PERMANENT POWER: BEFORE INSTALLATION CAN BEGIN, PERMANENT POWER MUST BE SUPPLIED.

*ENTRANCES

HANDRAILS: ALL BALCONY LEVELS REQUIRE HANDRAILS TO BE INSTALLED PER LOCAL CADES AFTER INSTALLATION IS COMPLETED. HANDRAIL AND INSTALLATION TO BE PROVIDED BY CONTRACTOR/CUSTOMER. VISILIFT,LLC AND/OR LOCAL INSTALLER ARE NOT RESPONSIBLE FOR HANDRAIL INSTALLATION OR MATERAILS.

POWER SUPPLY SPECIFICATIONS	DISCONNECT SIZE	TIME DELAY FUSE SIZE	VOLTS	PHASE	AMPERAGE
MOTOR & EQUIP.	30 AMPS	30 AMPS	230	SINGLE	20.2 AMPS
CAB LIGHTS	15 AMPS	15 AMPS	115	SINGLE	

IF A TELEPHONE CIRCUIT IS REQUIRED (OPTION FOR ELEVATOR) JACK IS PROVIDED AND INSTALLED BY OTHERS. THIS CIRCUIT SHALL BE BROUGHT TO A LOCATION NEXT TO THE CONTROLLER AND BE AVAILABLE TO CONNECT AND TEST UPON ELEVATOR INSTALLATION.

*SCOPE OF WORK

INSTALLATION OF A VUELIFT ELEVATOR BY A JOURNEY LEVEL LICENSED CONVEYANCE MECHANIC, AND MEETS OR EXCEEDS THE APPLICABLE REGULATIONS OF ALL GOVERNING AGENCIES AND IS IN CONFORMANCE WITH THE APPLICABLE SECTIONS OF THE MOST CURRENT EDITION OF THE FOLLOWING CODES AND STNADARDS.

ASME A17.1 SECTION 5.3 - SAFETY CODE FOR ELEVATORS AND ESCALATORS; PRIVATE RESIDENCE ELEVATORS.

NFPA 70-2008 THE NATIONAL ELECTRICAL CODE.

CSA B44.1/ASME A17.5 ELEVATOR AND ESCALATOR ELECTRICAL EQUIPMENT.

LOCAL CODES AND REGULATIONS, AS APPLICABLE.

AFTER INSTALLATION THE UNIT WILL BE INSPECTED BY AN INSPECTOR AS REQUIRED BY LOCAL LAWS.

GENERAL

CLASSIFICATION: Residential Building
 APPLIED CODE: ASME 17.1-2016 SEC. 5.3
 NEC 2008

WALLS: Full Clear Laminated Safety Glass-Complies with ANSI Z97.1
 NUMBER OF FLOORS: 2

MODEL: Octagonal Glass
 CAPACITY: 950 lbs. [432] kg]

NOMINAL SPEED: 40 fpm. [0.1626 m/s]
 CAB FLOOR AREA: 11.91 Square Feet [1.11 sq.meters]

CAB INT HEIGHT: 84 Inches [2133 mm]
 CAB WEIGHT: 1000 lbs. [455 kg]

TOTAL TRAVEL: 144 Inches
 PIT DEPTH (OPTION): 4 Inches [102-305mm]

POWER SUPPLY: 50/60Hz Single Phase 230V
 SAFETIES: 2 Type A Instantaneous Safeties in compliance with

ASME A17.1 Sections 2.17.8.1 & 1.17.5.1
 Mfg: Savaria P/N: VL481001-01

SUSPENSION:

TYPE: Galvanized Aircraft Cable 2x3/8" dia
 CONSTRUCTION: IWRC 7 x 19 RHRL

NOMINAL STRENGTH: 14,400 lbs. [6531 kg]
 WT. OF ROPES: 0.243 lbs/ft [3.616 g/cm]

TRAVEL CABLE WT: 0.228 lbs/ft [3.393 g/cm]

DRIVETRAIN:

TYPE: Winding Drum
 MOTOR: 3 HP with Integrated Brake

TRANSMISSION: Ultra-LowVibration 3-Stage Right Angle Helical-Bevel Drive
 MOTOR CONTROL: Pre-Programmed Variable Freq. Drive

DOOR INTERLOCKS: Honeywell RDI-G-L5B certified in compliance with
 ASME A17.1 Sections 2.12.4.3

PIT/FLOOR LOAD: (ft of Hoistway*143) + (# of Floors*340) + 3100 Dead Load (lbs)

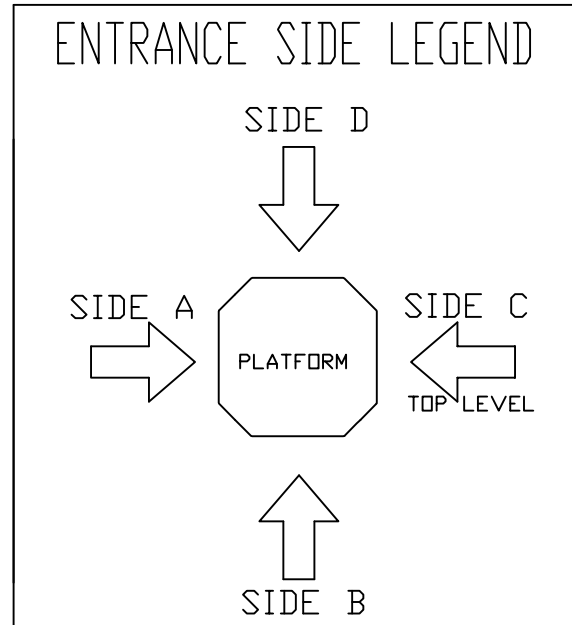
PIT FLOOR TO SUPPORT LOAD OF: 3110 kg [6842 lbs]
 IMPACT LOAD: 3405 kg [7491 lbs]

LANDING CHART

	LANDING 1	LANDING 2	LANDING 3	LANDING 4	LANDING 5	LANDING 6
DOOR TYPE	SWING DOOR	SWING DOOR	NA	NA	NA	NA
ENTRANCE SIDE	C	C	NA	NA	NA	NA
DOOR SWING	RH SWING	RH SWING	NA	NA	NA	NA
LOCK TYPE	HONEYWELL	HONEYWELL	NA	NA	NA	NA
HALL CALL KEY SWITCH	NO	NO	NA	NA	NA	NA
FLOOR MARKING	1	2	NA	NA	NA	NA
LANDING CONFIGURATION	PIT	BALCONY	NA	NA	NA	NA

OPTIONS:

BUFFER SPRING: No
 COLOR: Texture Black (std) PX622N365



DATA SHEET

CUSTOMER:	DATE: 01/05/2018
PROJECT:	REVISION DATE: 02/12/2018
ADDRESS: STREET NAME	COMPLETED BY: S.C
PO BOX	A

OFFICE USE ONLY:	
CONFIGURATION VERSION STAMP:	1.5
MODULE VERSION STAMP:	E-S-73.11

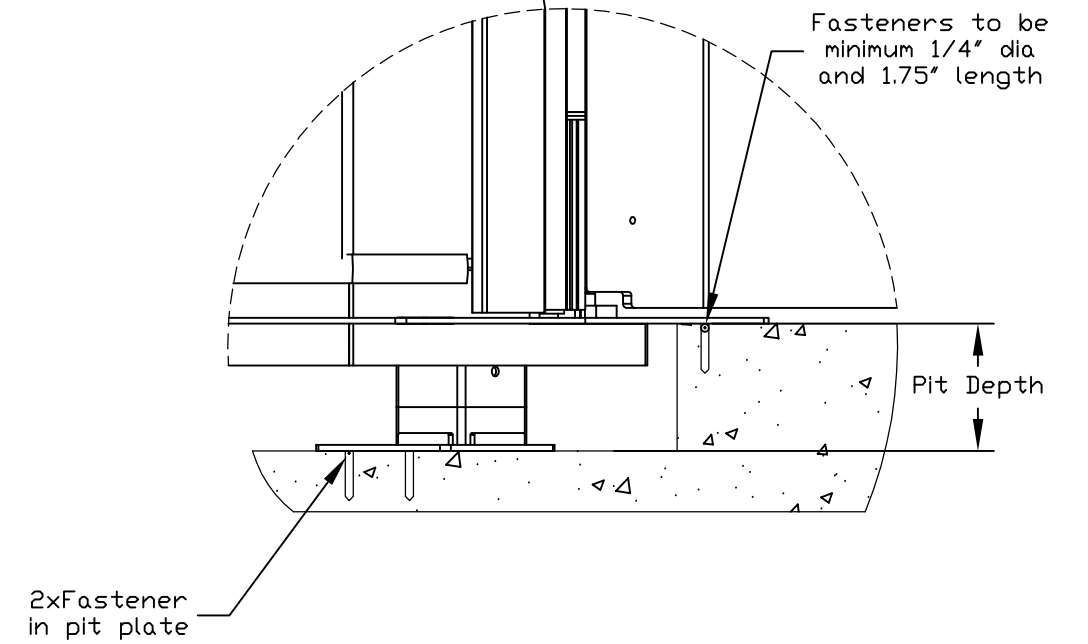
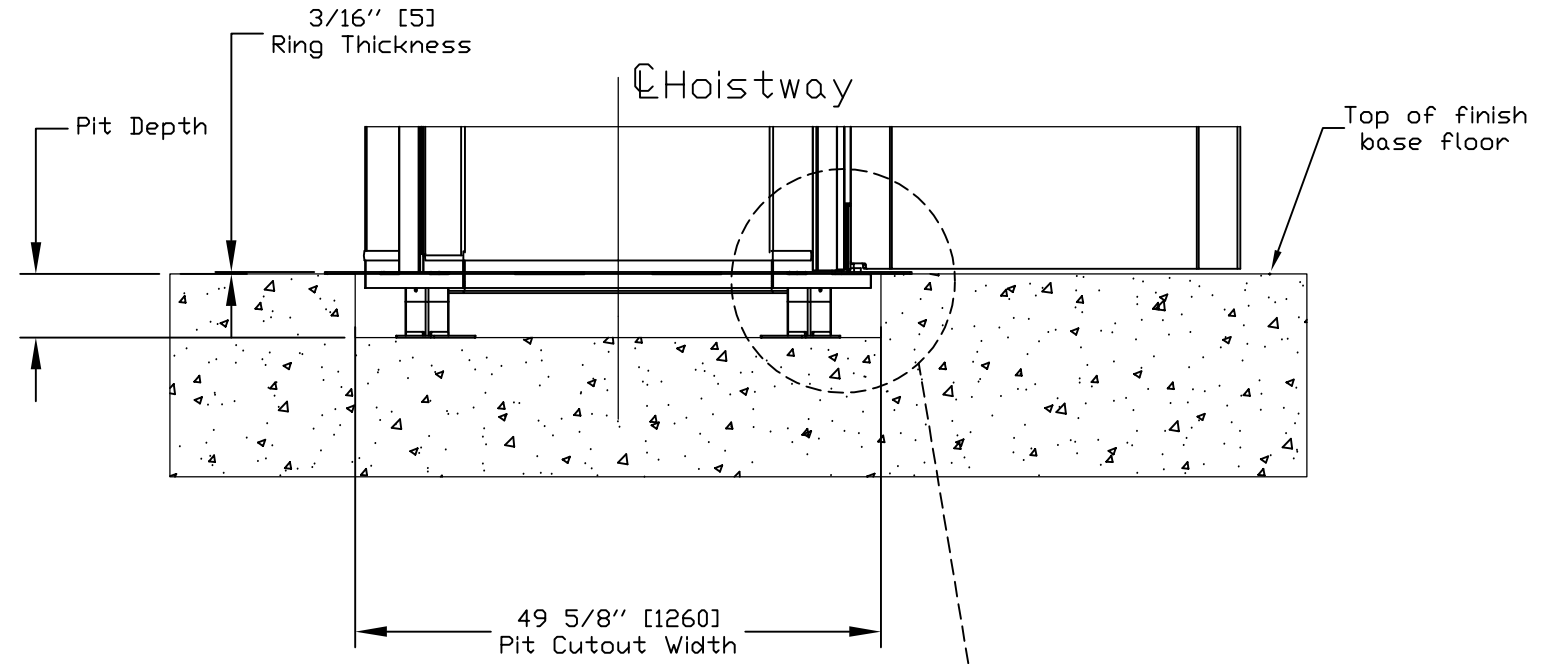
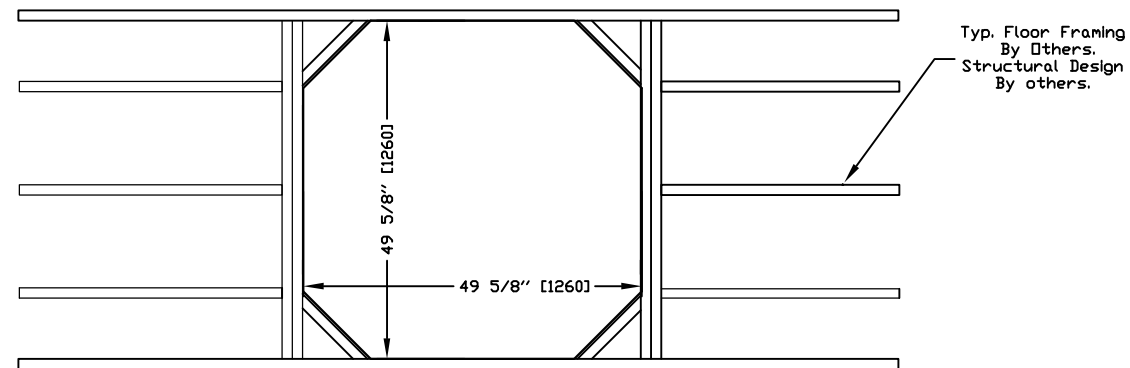
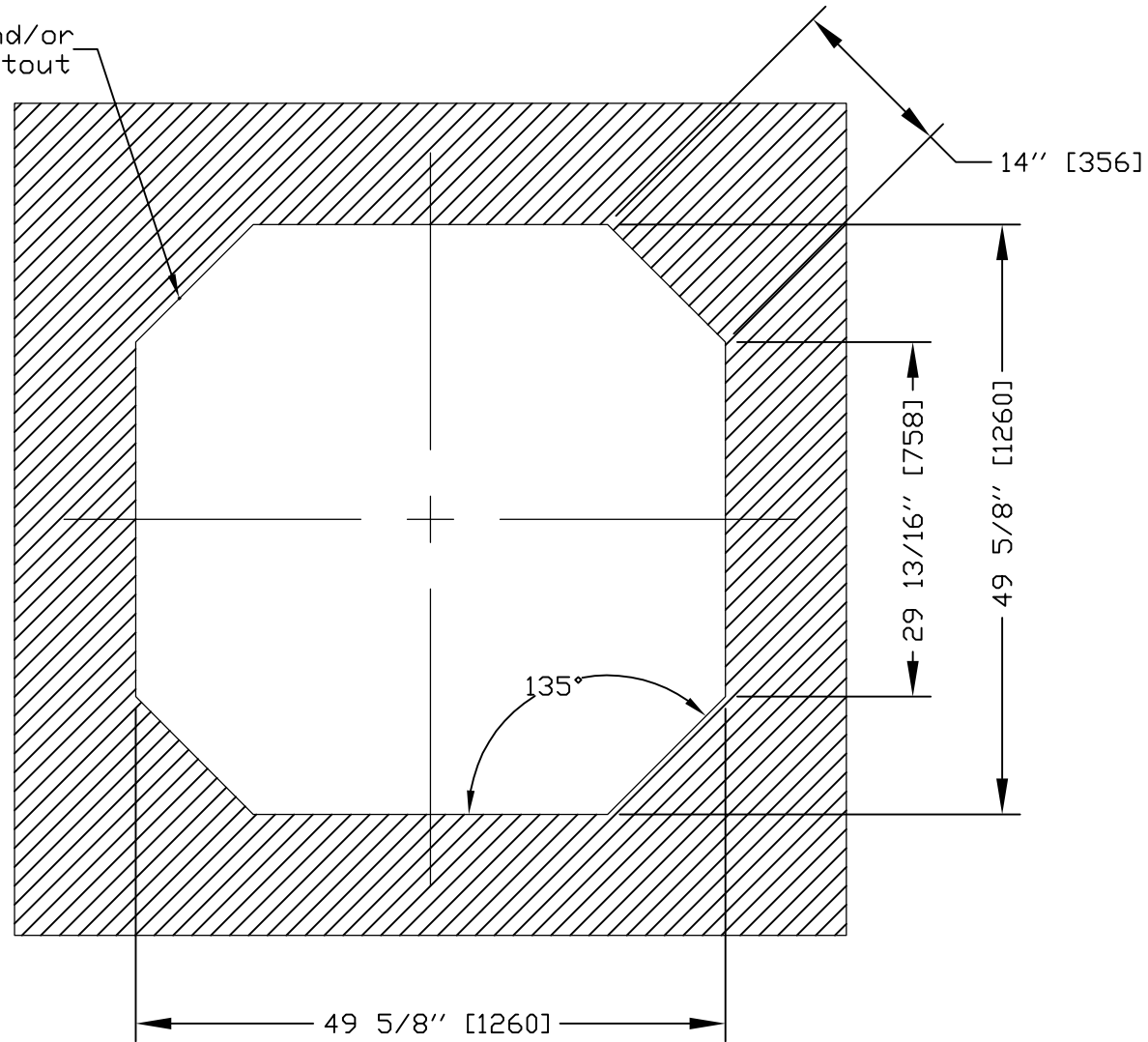
Part No.	VUELIFT
Variant No.	P-000000



JOB No.	DGM-TYPE 1	SHEET No.	15 OF 6
---------	------------	-----------	---------

PLAN VIEW PIT CUTOUT/THRU FLOOR CUTOUT

Finished pit and/or Thru Floor Cutout



NOTE:
PIT OPTION ROUGH IN AND FINISHED DIMS. ARE IDENTICAL TO THRU-FLOOR ROUGH IN AND FINISHED DIMS.

CLEARANCE FROM ADJACENT WALLS TO EDGE OF HOLE/PIT MUST BE MINIMUM 18" ON ALL SIDES.

PIT CUTOUT AND THRU FLOOR CUTOUT

OFFICE USE ONLY:	
CONFIGURATION VERSION STAMP:	0.0
MODULE VERSION STAMP:	0.0

Part No. VUELIFT
Variant No. P-000000

CUSTOMER:	DATE: 01/05/2018
PROJECT:	REVISION DATE: 02/12/2018
ADDRESS:	COMPLETED BY: SC
STREET NAME	A
PO BOX	
PHONE NO.	



JOB No. OGM-TYPE 1 SHEET No. 16 OF 6